



California Faucets®

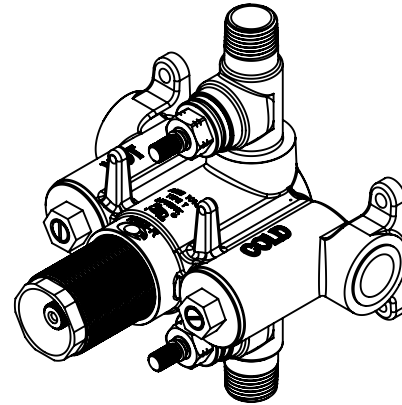
StyleTherm®

1/2" Thermostatic Rough Valve w/ Integral Dual Volume Controls

THT52-R

Features

- Forged brass construction
- Max flow rate: 7.4 gpm (28.0 L/m) @ 60 psi - Single
- Max flow rate: 9.5 gpm (36.0 L/m) @ 60 psi - Combined
- Integral service stops with check valves
- Single-handle temperature mixing
- Thermostatic anti-scald protection
- Genuine Vernet® mixing cartridge featuring
 - Polymer construction limits limescale build-up
 - Integrated filter screens
 - Paraffin wax element
- Dual integral shut-off/volume control valves



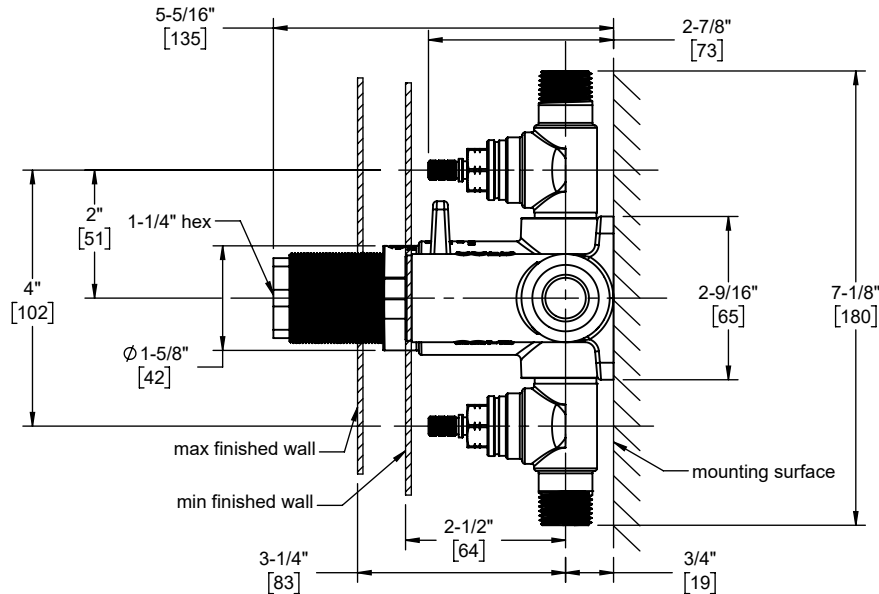
mudguard not shown



Codes/Standards

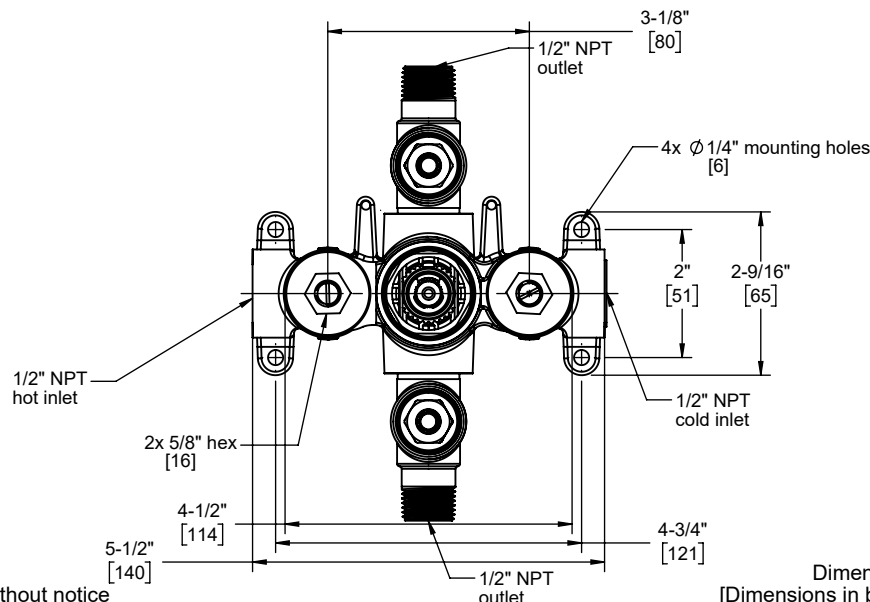
Product meets or exceeds the following:

- ASME A112.18.1/CSA B125.1
- ASSE 1016



side view

front view



Specifications subject to change without notice

Dimensions are inches, rounded to 1/16"
[Dimensions in brackets are mm, rounded to 1mm]