



California Faucets®

Venice™

WALL LAVATORY

CF-TO-V4702-9

Features

- Over 28 finishes including 13 PVD finishes
- All brass construction
- 8-1/2" [216] spout wall to center
- 1.2 gpm (4.5 L/min) max flow rate
- Rough valve (VL-R) sold separately

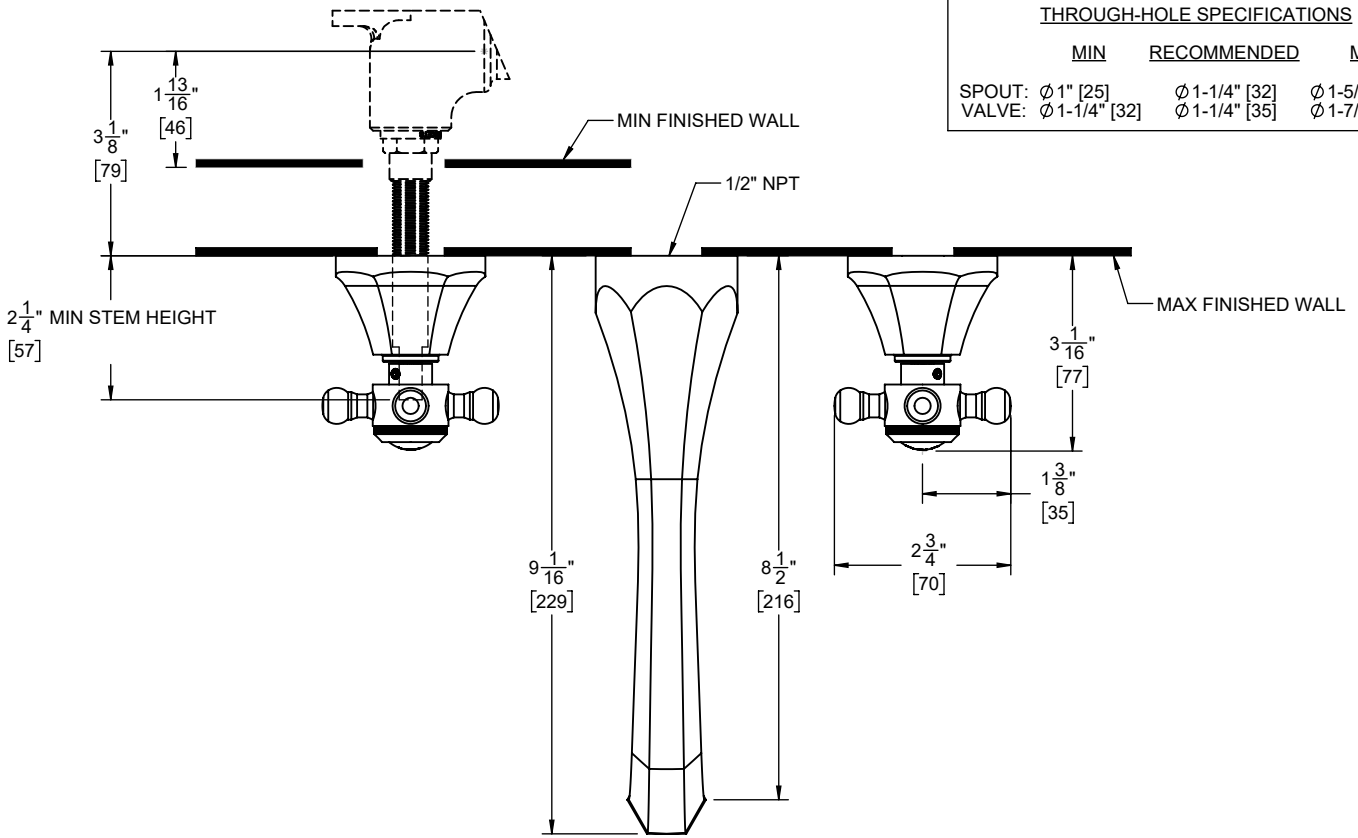
Codes/Standards

Product meets or exceeds the following:

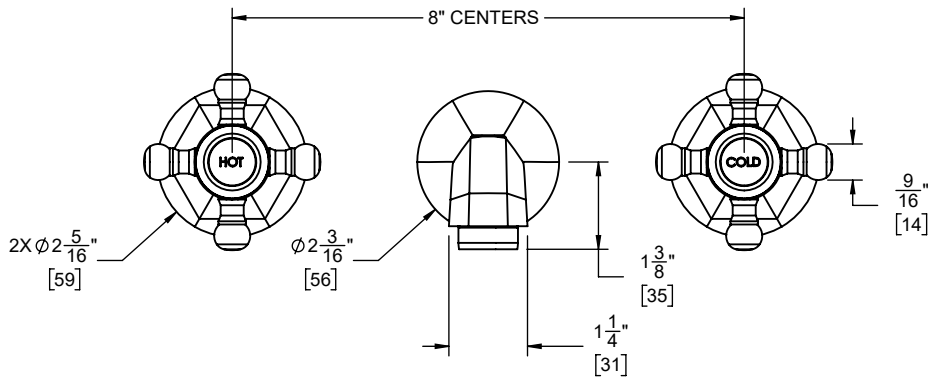
- ASME A112.18.1/CSA B125.1
- NSF/ANSI 61 & NSF/ANSI 372
- CEC & DOE
- Commonwealth of MA
- EPA WaterSense High Efficiency Lavatory



TO-V4702-9 shown



THROUGH-HOLE SPECIFICATIONS			
	MIN	RECOMMENDED	MAX
SPOUT:	Ø 1" [25]	Ø 1-1/4" [32]	Ø 1-5/8" [41]
VALVE:	Ø 1-1/4" [32]	Ø 1-1/4" [35]	Ø 1-7/8" [48]



SPECIFICATIONS SUBJECT TO CHANGE WITHOUT NOTICE

DIMENSIONS SHOWN TO NEAREST 1/16" [DIMENSIONS SHOWN TO NEAREST 1mm]