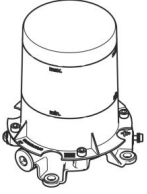


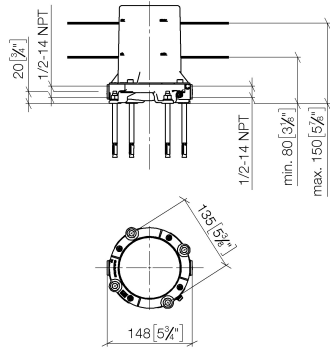
35 949 970



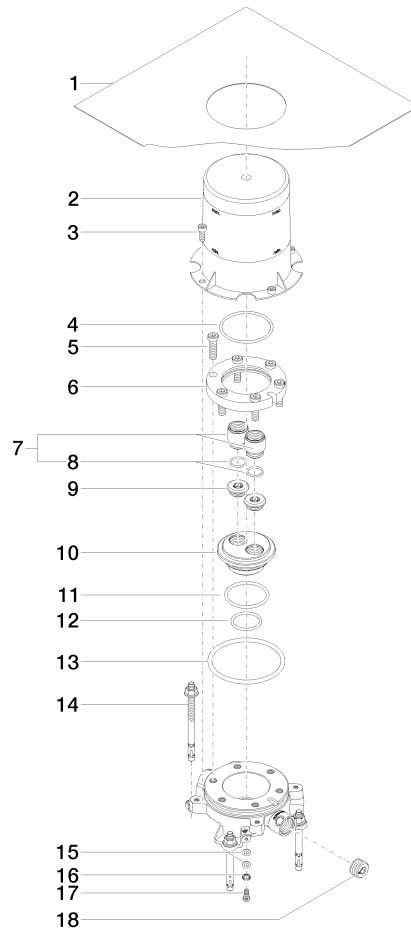
- red brass, lead-free
- 2x female thread 1/2" connections
- dust cover
- anti-water packing

35 949 970

mm [inches]



35 949 970



Spare parts list

| No. | Item Number        | Name       | Quantity used | Delivery time |
|-----|--------------------|------------|---------------|---------------|
| 1   | 04 14 03 077 00 90 | gasket kit | 1             | 2             |
| 2   | 09 21 02 116 90    | cap        | 1             | 2             |
| 3   | 09 30 30 053 90    | screw      | 4             | 2             |
| 4   | 09 14 10 078 90    | seal       | 6             | 2             |
| 5   | 09 30 30 047 90    | screw      | 1             | 2             |
| 6   | 09 30 11 121 90    | connection | 1             | 2             |
| 7   | 04 24 03 131 00 90 | nipple set | 2             | 2             |
| 8   | 09 14 10 010 90    | seal       | 2             | 2             |
| 9   | 04 31 20 006 00 90 | plug       | 2             | 2             |
| 10  | 09 31 20 033 90    | plug       | 1             | 2             |
| 11  | 09 14 10 084 90    | seal       | 1             | 2             |
| 12  | 09 14 10 018 90    | seal       | 1             | 2             |
| 13  | 09 14 10 072 90    | seal       | 1             | 2             |
| 14  | 04 30 35 008 00 90 | fixing set | 2             | 2             |
| 15  | 09 30 11 048 90    | disc       | 1             | 2             |
| 16  | 09 30 11 032 90    | disc       | 1             | 2             |
| 17  | 09 30 30 058 90    | screw      | 1             | 2             |
| 18  | 09 31 20 064 90    | plug       | 2             | 2             |