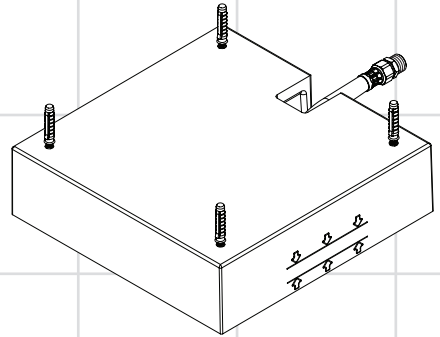
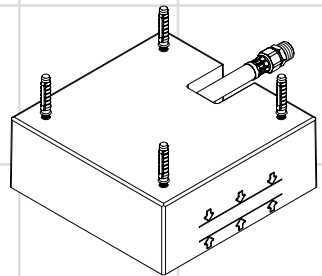


- EN** Installation / User Instructions / Warranty
- FR** Instructions de montage / Mode d'emploi / Garantie
- ES** Instrucciones de montaje / Manejo / Garantía



**Raindance**  
26254181



**Raindance**  
26471181

**Installation Considerations**

- For best results, Hansgrohe recommends that this unit be installed by a licensed, professional plumber.
- Please read over these instructions thoroughly before beginning installation. Make sure that you have all tools and supplies needed to complete the installation.

**⚠ This rough is for installation in a suspended ceiling.**

- To prevent scald injury, the maximum output temperature of the shower valve must be no higher than 120°F. In Massachusetts, the maximum output temperature can be no higher than 112° F.
- Keep this booklet and the receipt (or other proof of date and place of purchase) for this product in a safe place. The receipt is required should it be necessary to request warranty parts.

**À prendre en considération pour l'installation**

- Pour de meilleurs résultats, Hansgrohe recommande que ce produit soit installé par un plombier professionnel licencié.
- Veuillez lire attentivement ces instructions avant de procéder à l'installation. Assurez-vous de disposer de tous les outils et du matériel nécessaires pour l'installation.

**⚠ Le kit de base ne peut être monté que dans un plafond intermédiaire.**

- Pour empêcher des blessures par ébouillement, la température de sortie maximale du robinet de douche ne doit pas excéder 120°F. Au Massachusetts, la température de sortie maximale du robinet de douche ne doit pas excéder 112° F.
- Conservez ce livret et le reçu (ou une autre preuve sur laquelle figurent la date et l'endroit de l'achat) pour ce produit dans un endroit sûr. Le reçu est requis si vous commandez des pièces sous garantie.

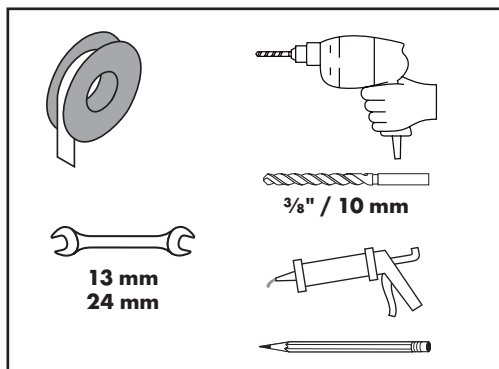
## Consideraciones para la instalación

- Para obtener mejores resultados, la instalación debe estar a cargo de un plomero profesional matriculado.
- Antes de comenzar la instalación, lea estas instrucciones detenidamente. Asegúrese de tener las herramientas y los insumos necesarios para completar la instalación.

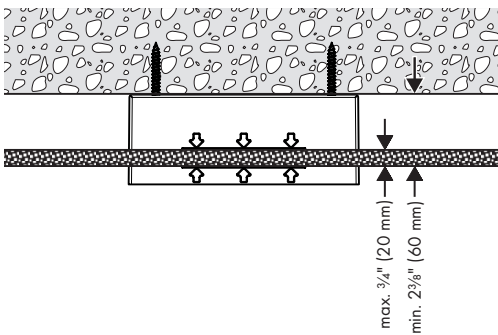
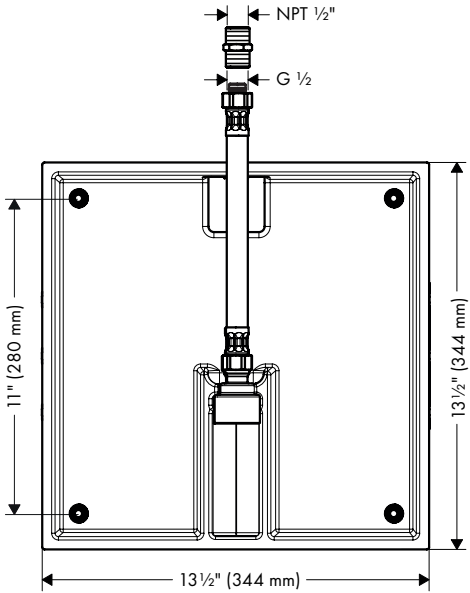
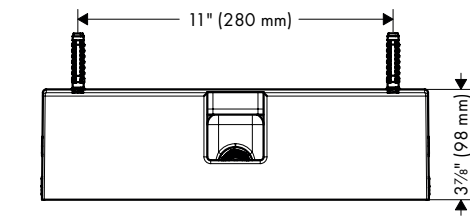
**⚠ Il kit base può essere installato solo in un soffitto intermedio.**

- Para evitar escaldaduras, la máxima temperatura de salida de la válvula de la ducha no debe exceder los 120°F. En Massachusetts, la máxima temperatura de salida de la válvula de la ducha no debe exceder los 112°F.
- Mantenga este folleto y el recibo (u otro comprobante del lugar y fecha de compra) de este producto en lugar seguro. El recibo se requiere en caso de ser necesario solicitar piezas bajo garantía.

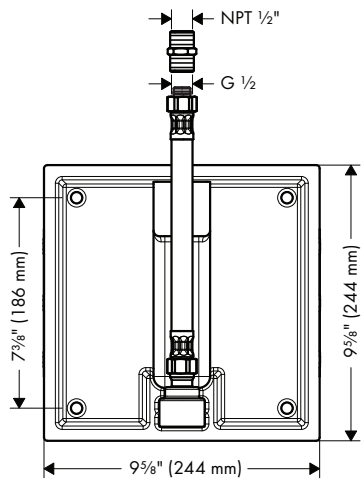
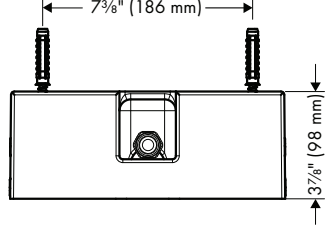
## Tools Required / Outils Utiles / Herramientas Útiles

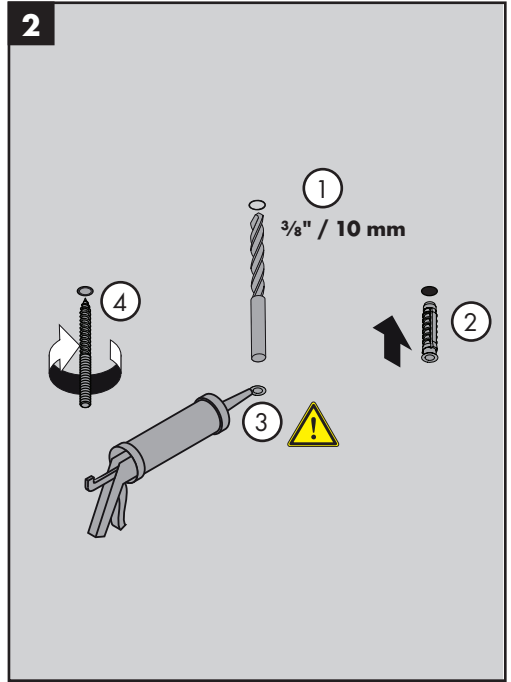
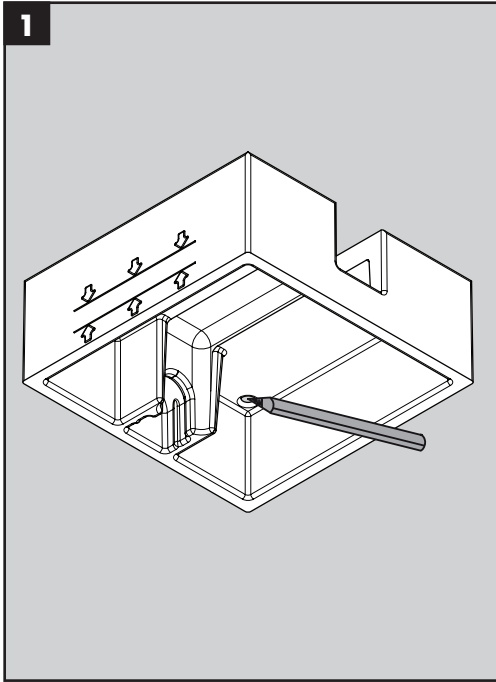


**Raindance**  
26254181



**Raindance**  
26471181





## English

Hold the showerhead dummy against the ceiling at the mounting location.

The opening in the side should face the supply line.

Mark the positions of the screw holes.

Drill the screw holes.

Install the anchors.

Seal the ceiling around the anchors.

Install the studs.

## Français

Disposez le patron de montage de la pomme de douche sur la surface de montage à l'endroit désiré.

Alignez le patron de montage avec le conduit d'eau.

Marquez les positions des trous de vissage.

Percez les trous.

Installez les chevilles.

Scellez le plafond autour des chevilles à l'aide d'un agent d'étanchéité.

Installez les goujons.

## Español

Posicione la plantilla del cabezal de ducha en el lugar deseado de la superficie de montaje.

Alinee la plantilla con la tubería de agua.

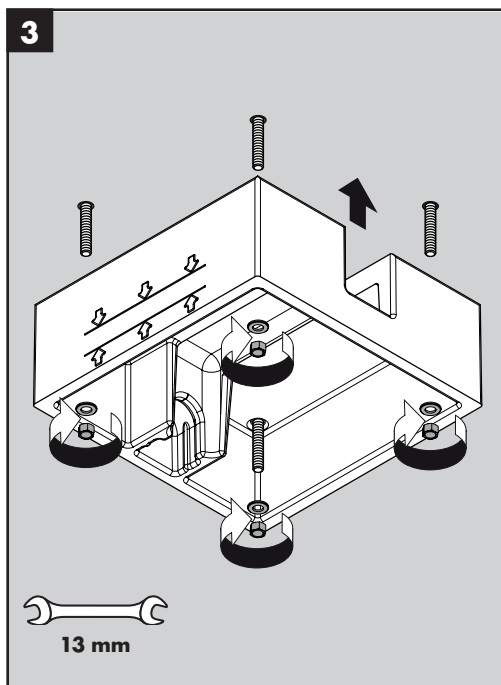
Marque las posiciones de los orificios para tornillos.

Perfore los orificios.

Instale los tarugos de anclaje.

Selle el cielo raso alrededor de los tarugos de anclaje con un sellador impermeable.

Instale los espárragos.



### English

Install the dummy.

Wrap the threads on the adapter using plumber's thread tape.

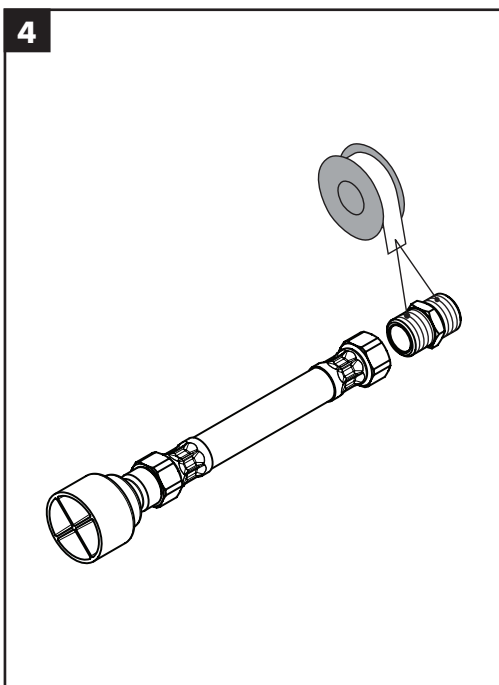
Install the adapter on the hose.

### Français

Installez le patron de montage.

Enveloppez les filets sur l'adaptateur avec du ruban de plomberie.

Installez l'adaptateur sur le tuyau.

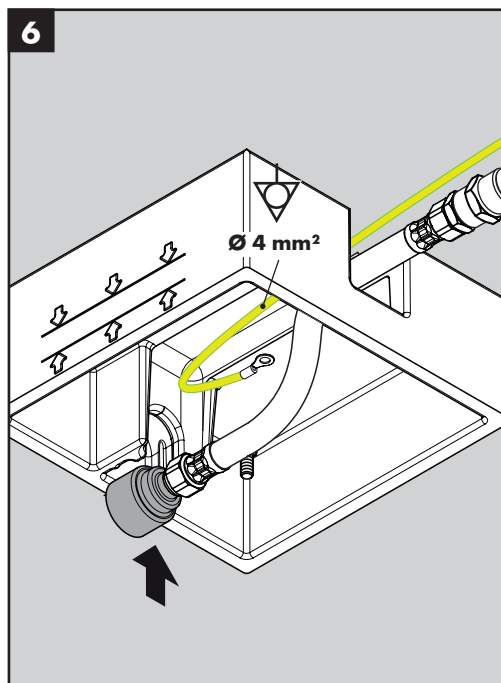
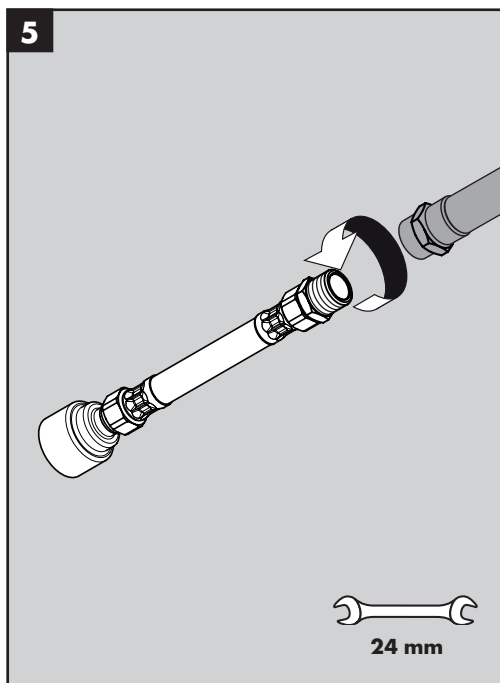


### Español

Instale la plantilla.

Envuelva las roscas del adaptador con cinta de plomería.

Instale el adaptador en la manguera.



### English

Install the hose and adapter on the supply pipe.

Push the hose and the grounding wire into the dummy.

Push the hose plug into the niche.

### Français

Installez le tuyau/adapteur sur le conduit d'eau.

Placez le tuyau et le fil dans le patron de montage.

Poussez le bouchon dans le créneau.

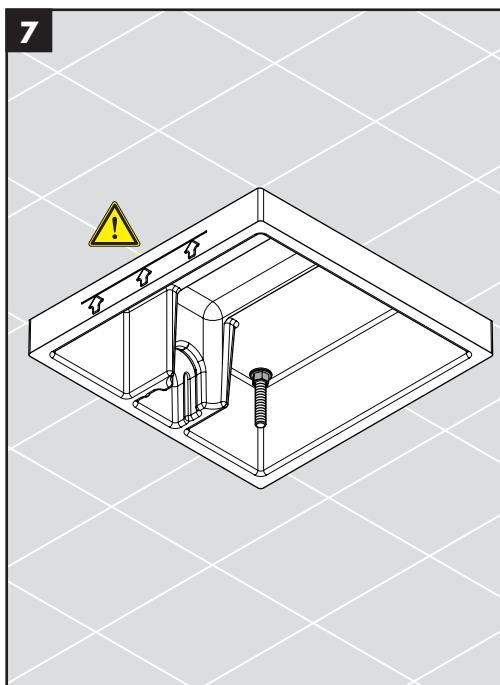
### Español

Instale la manguera / adaptador en la tubería de agua.

Posicione las mangueras en la plantilla.


Empuje el tapón en el nicho.

7




## English

Install the finished ceiling.

-  **To insure correct fit of the trim, the outside surface of the finished ceiling must fall between the two lines on the rough.**


## Français

Installez le plafond fini.

-  **Pour que la garniture s'ajuste de façon adéquate, la surface du plafond fini doit se situer entre les deux marques figurant sur la platine de montage.**

## Español

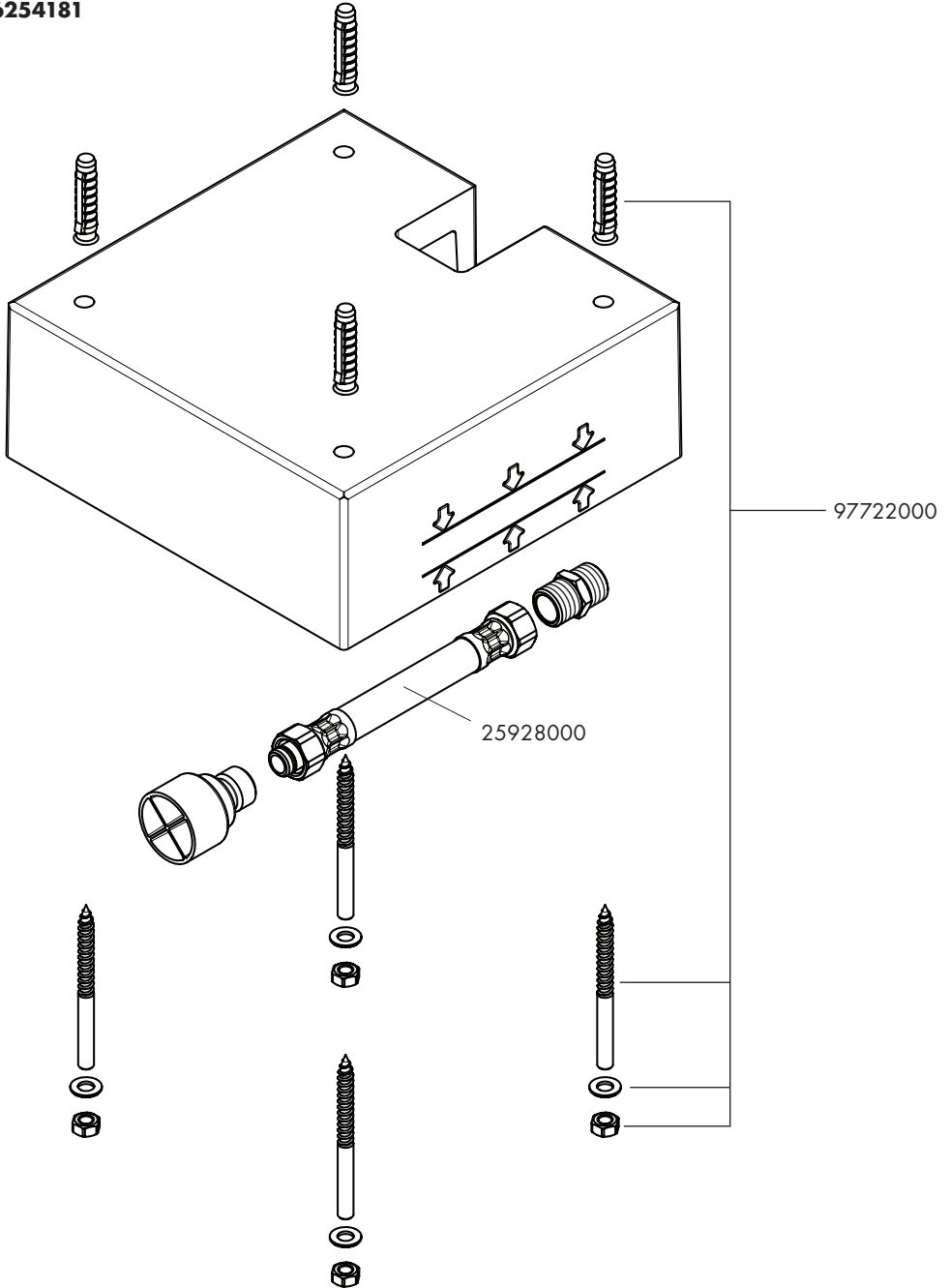
Instale el cielo terminado.

-  **Para que la pieza exterior ajuste correctamente, la superficie del cielo terminado debe quedar entre las dos marcas de la plantilla.**



Replacement Parts / Pièces détachées / Repuestos

26471181  
26254181







# Limited Consumer Warranty

This warranty is limited to products manufactured by Hansgrohe, Inc. ("Hansgrohe") that are purchased by a consumer in the United States or Canada after March 1, 1996, and installed in either the United States or in Canada.

## WHO IS COVERED BY THE WARRANTY

This limited warranty extends to the original purchaser only. This warranty is non-transferable. Hansgrohe neither assumes nor authorizes any person to create for it any other obligation or liability in connection with this product.

## LENGTH OF WARRANTY

If you are a consumer who purchased the product for use primarily for personal, family or household purposes, this limited warranty starts on the date of purchase and extends for as long as you own the product and the home in which the product is originally installed. If you purchased the product for use primarily for any other purpose, including, without limitation, a commercial purpose, this limited warranty starts on the date of purchase and extends (i) for 1 year, with respect to Hansgrohe and Commercial products, and (ii) for 5 years, with respect to Axor products. The Rubbed Bronze finish is subject to a 3-year limited warranty starting on the date of purchase.

## WHAT IS COVERED BY THE WARRANTY

This limited warranty covers only your Hansgrohe manufactured product. Hansgrohe warrants this product against defects in material or workmanship as follows:

Hansgrohe will replace at no charge for parts only or, at its option, replace any product or part of the product that proves defective because of improper workmanship and/or material, under normal installation, use, service and maintenance. If Hansgrohe is unable to provide a replacement and repair is not practical or cannot be made in timely fashion, Hansgrohe may elect to refund the purchase price in exchange for the return of the product. REPAIR OR REPLACEMENT (OR, IN LIMITED CIRCUMSTANCES, REFUND OF THE PURCHASE PRICE) AS PROVIDED UNDER THIS LIMITED WARRANTY IS THE EXCLUSIVE REMEDY OF THE PURCHASER.

## WHAT IS NOT COVERED BY THE WARRANTY

- A. Conditions, malfunctions or damage not resulting from defects in material or workmanship.
- B. Conditions, malfunctions or damage resulting from (1) normal wear and tear, improper installation, improper maintenance, misuse, abuse, negligence, accident or alteration; (2) the use of abrasive or caustic cleaning agents or "no-rinse" cleaning products, or the use of the product in any manner contrary to the product instructions; or (3) conditions in the home such as

excessive water pressure or corrosion.

- C. Labor and other expenses for disconnection, deinstallation, or return of the product for warranty service (including but not limited to proper packaging and shipping costs), or for installation or reinstallation of the product.
- D. Accessories, connected materials and products, or related products not manufactured by Hansgrohe.
- E. Any Hansgrohe or Axor product sold for display purposes.

## HANSGROHE SHALL NOT BE LIABLE TO PURCHASER OR ANY OTHER PERSON FOR ANY INCIDENTAL, SPECIAL OR CONSEQUENTIAL DAMAGES, ARISING OUT OF BREACH OF THIS LIMITED WARRANTY.

Some provinces and some states do not allow the exclusion or limitation of incidental or consequential damages, so the above limitation or exclusion may not apply to you.

## TO OBTAIN WARRANTY PARTS OR INFORMATION

Contact your Hansgrohe retailer, or contact Technical Service at:

Hansgrohe, Inc.  
1492 Bluegrass Lakes Parkway  
Alpharetta, GA 30004  
Toll-free 800-334-0455

In requesting warranty service, you will need to provide:

- 1. The sales receipt or other evidence of the date and place of purchase.
- 2. A description of the problem.
- 3. Delivery of the product or the defective part, postage prepaid and carefully packed and insured, to:

Hansgrohe, Inc.  
1492 Bluegrass Lakes Parkway  
Alpharetta, GA 30004  
Toll-free 800-334-0455

When warranty service is completed, any repaired or replacement product or part will be returned to you postage prepaid. REVISED MAY 1, 2016.

## PRODUCT INSTRUCTIONS AND QUESTIONS

Upon purchase or prior to installation, please carefully inspect your Hansgrohe product for any damage or visible defect. Prior to installing, always carefully study the enclosed instructions on the proper installation and the care and maintenance of this product. If you have questions at any time about the use, installation or performance of your Hansgrohe product, or this warranty, please write us or call us toll-free at 800-334-0455.

**hansgrohe**

Hansgrohe, Inc. 1490 Bluegrass Lakes Parkway Alpharetta, GA 30004  
Tel. 800-334-0455 Fax 770-889-1783

[www.hansgrohe-usa.com](http://www.hansgrohe-usa.com)