



Product Model Numbers
Ironing Centers: E-42 and NE-42

Dimensions (Actual Size)

- Overall height: 52"
- Overall width: 15"
- Overall depth including door: 7 3/4"
- Dimension from wall to outer edge of door (when recessed): 3 7/8"
- Penetration into opening: 3 7/8"
- Rough opening height: 51 1/4"
- Rough opening width: 14 3/8"
- Wall opening depth: 3 7/8"

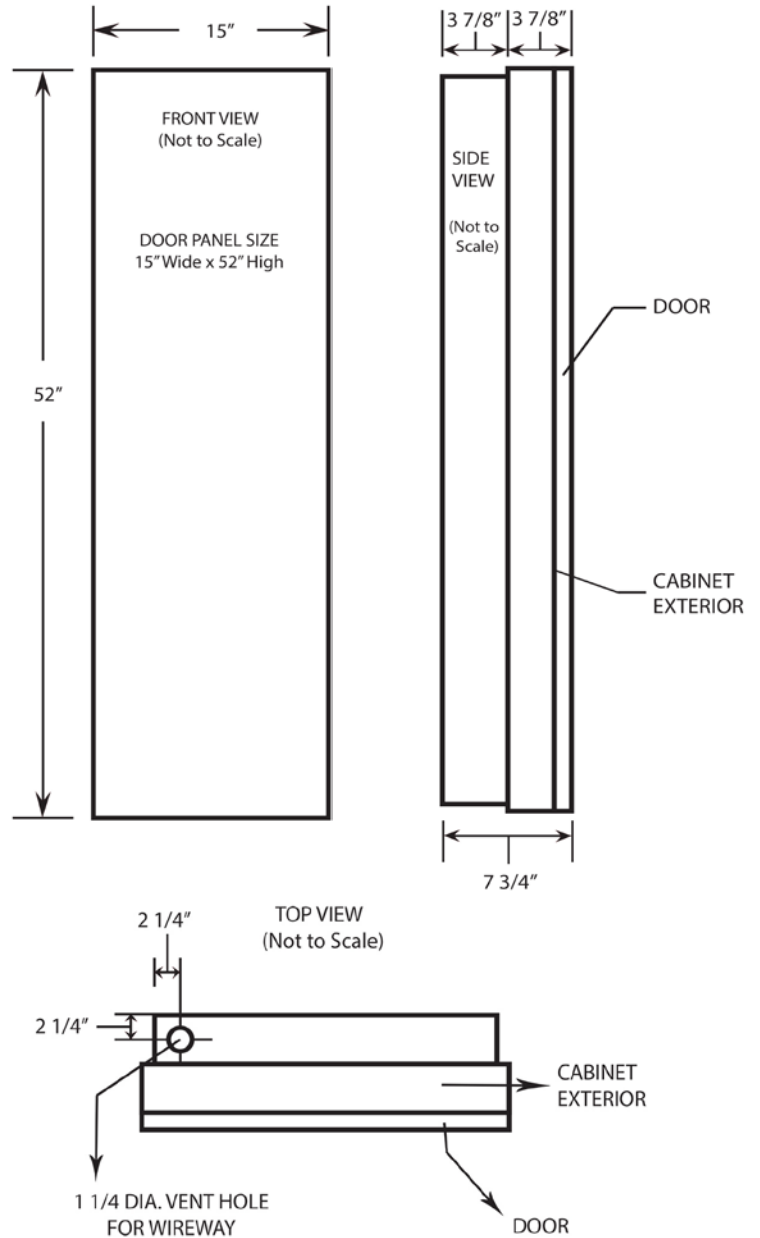
Opening dimensions listed above
Overlap distances when using wall

- Top overlap: 3/8"
- Bottom overlap: 3/8"
- Right side overlap: 3/8"
- Left side overlap: 3/8"

Additional Information

- Unit may be surface mounted (unit extends approximately 7 3/4" into room) or recessed (unit extends approximately 3 7/8" into room) into any wall with standard 16" center studs.
- See table bottom right to determine desired ironing board height above the floor.
- Unit can be provided with a left hinged door upon request. Right hinge is standard.
- Comes standard with wood veneer door.
- Electrical requirements for E-42: 115/120v, 15 amp. Pigtails are provided in bottom of wire raceway for hookup to supply line. Make entrance into knockout provided in top of wire way through left-hand vent hole.
- Electrical requirements for NE-42: Does not require electricity, it is non-electric.
- Recommended to attach 2" x 4" cleats to studs, level with the bottom of opening (for support when recessing unit.)
- Door opens approximately 180°. Allow at least 16" to the side of the unit for door to swing open (door hinges on full length piano hinge.)
- Options include: Surface mount trim (necessary for surface mounting), oak, maple, pine, or white raised panel door, flat white door, glass mirrored door, or no door, sleeve board, swivel, rough-in kit, and iron.

See Page 2 for additional information

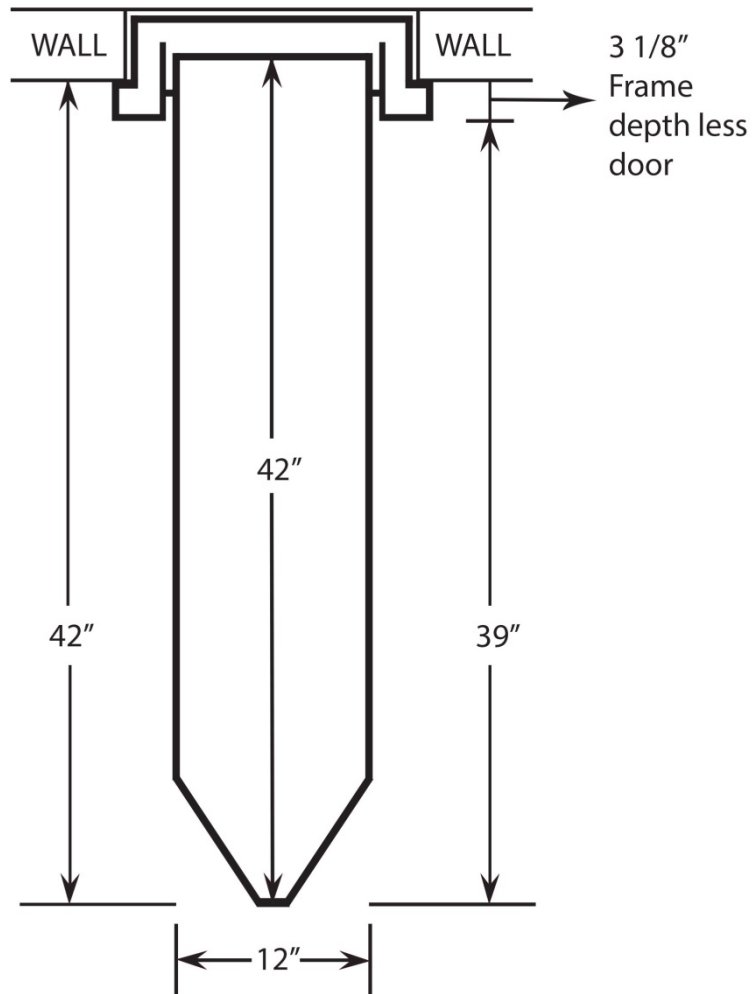


Ironing Board Height	
Cut Opening Above floor	Board Height
30"	37"
29"	36"
28"	35"
27"	34"
26"	33"
25"	32"
24"	31"
23"	30"

Page 2
Product Model E-42 and NE-42
Additional Information

Measurements when board is lowered
(Not to Scale)

Unit can be provided with a left hinged door upon request. Right hinge is standard.
Door opens approximately 180°. Allow at least 16" from side of cabinet.



Recommended Adequate Space/Clearance for Ironing

Distance from Wall to tip of Ironing Board	42"
Swivel Clearance from cutout opening of cabinet	N/A
Distance from Wall in Full Swivel Position	N/A
Standing Area Clearance **	24"

** The recommended distance from the side of the ironing board where the user will typically stand to ensure adequate space for ironing.