

81 3/4"

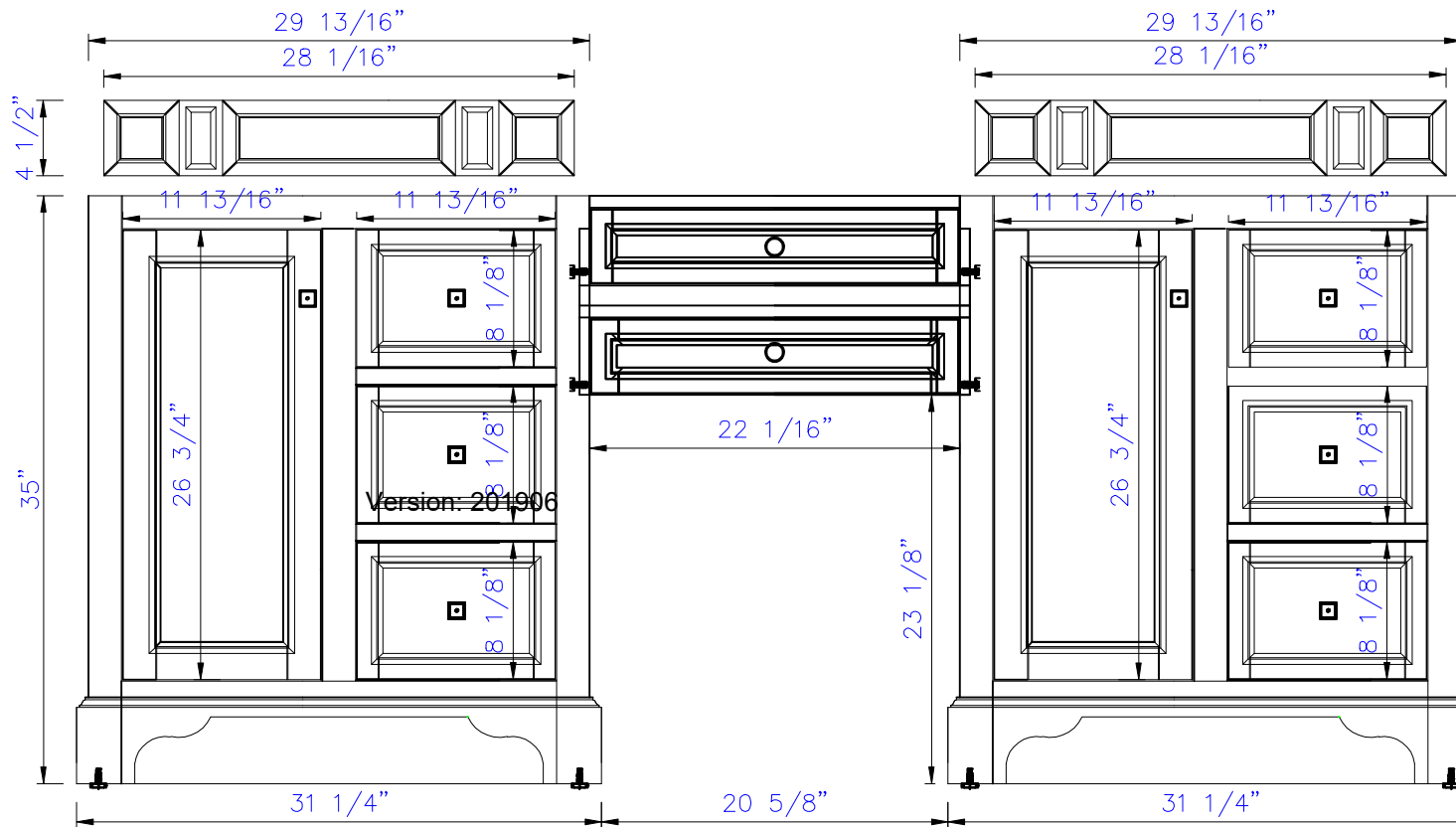
Item Number:
825-V30-BNM/BW/SL
825-DU22-BNM/BW/SL

JAMES MARTIN



VANITIES™

De Soto Drawer Unit (V30+DU22+V30)
Diagrams with Dimensions
page 01 of 03



NOTE ONE: Countertops are not shown in these diagrams .(Cabinet Only)

NOTE TWO: Wood Backsplash (Shown) is designed for the molding detail to align with sinks in James Martin's Optional Countertops.

Customers* own countertops and sinks may align differently.

Please consult our website for Countertop Diagrams: www.jamesmartinvanities.com

Version: 201906

81 3/4"

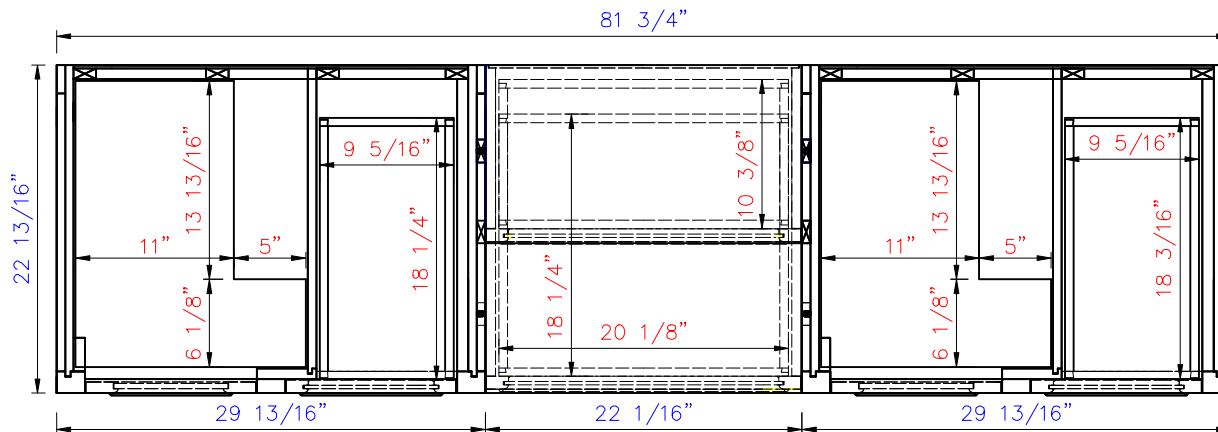
Item Number:
825-V30-BNM/BW/SL
825-DU22-BNM/BW/SL

JAMES MARTIN



VANITIES™

De Soto Drawer Unit (V30+DU22+V30)
Diagrams with Dimensions
page 02 of 03



NOTE ONE: Countertops are not shown in these diagrams .(Cabinet Only)

NOTE TWO: Internal Shelves (Shown) are designed to align with sinks in James Martin's Optional Countertops.
Customers' own countertops and sinks may align differently, and modification may be required.
Please consult our website for Countertop Diagrams: www.jamesmartinvanities.com

Version: 201906

81 3/4"

Item Number:
825-V30-BNM/BW/SL
825-DU22-BNM/BW/SL

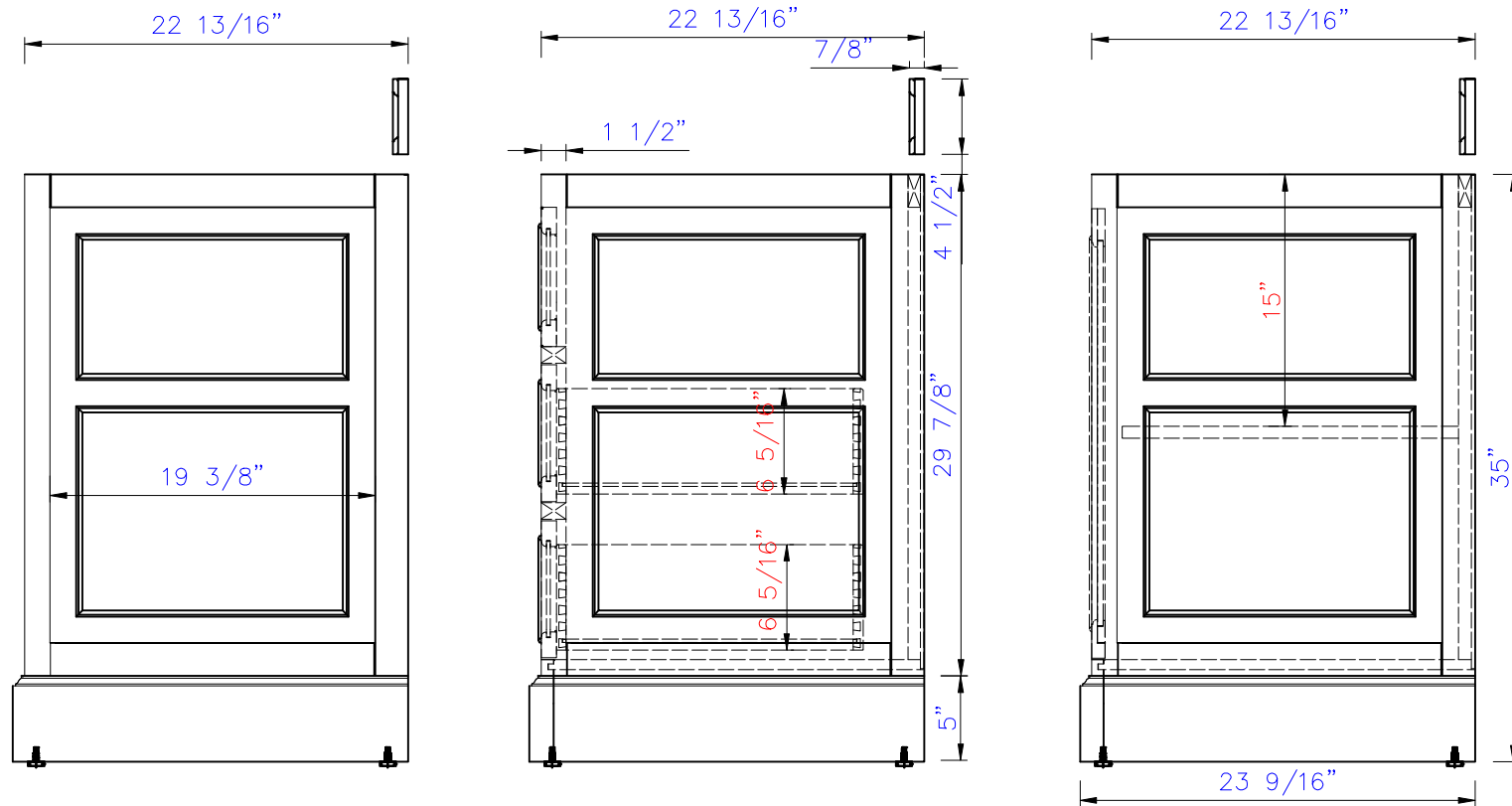
JAMES MARTIN



VANITIES™

De Soto Drawer Unit (V30+DU22+V30)

Diagrams with Dimensions
page 03 of 03



NOTE ONE: Countertops are not shown in these diagrams .(Cabinet Only)

NOTE TWO: Wood Backsplash (Shown) is designed for the molding detail to align with sinks in James Martin's Optional Countertops.

Customers' own countertops and sinks may align differently.

Please consult our website for Countertop Diagrams: www.jamesmartinvanities.com

Version: 201906

2076mm

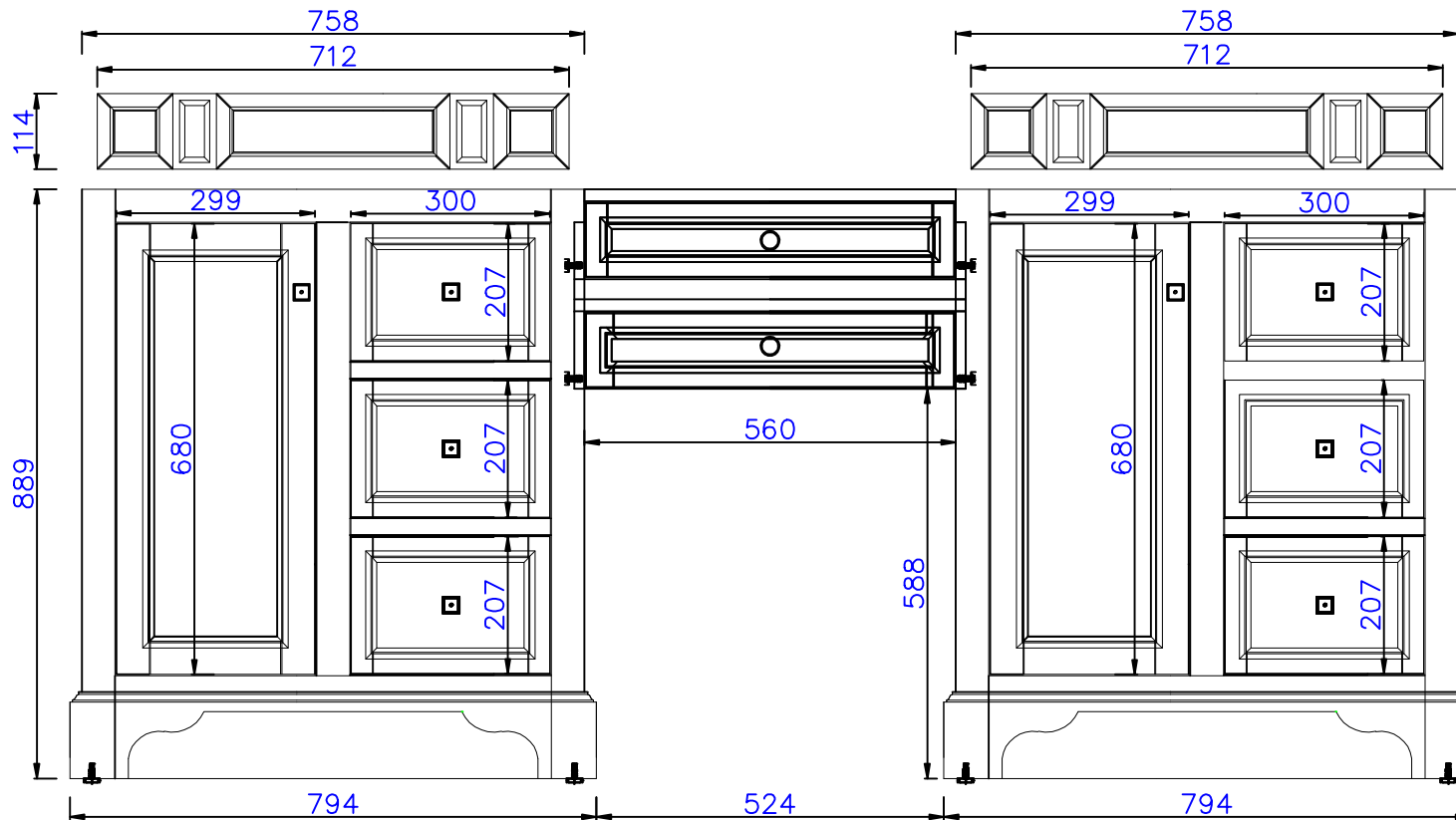
Item Number:
825-V30-BNM/BW/SL
825-DU22-BNM/BW/SL

JAMES MARTIN



VANITIES™

De Soto Drawer Unit (V30+DU22+V30)
Diagrams with Dimensions
page 01 of 03



NOTE ONE: Countertops are not shown in these diagrams .(Cabinet Only)

NOTE TWO: Wood Backsplash (Shown) is designed for the molding detail to align with sinks in James Martin's Optional Countertops.

Customers' own countertops and sinks may align differently.

Please consult our website for Countertop Diagrams: www.jamesmartinvanities.com

Version: 201906

2076mm

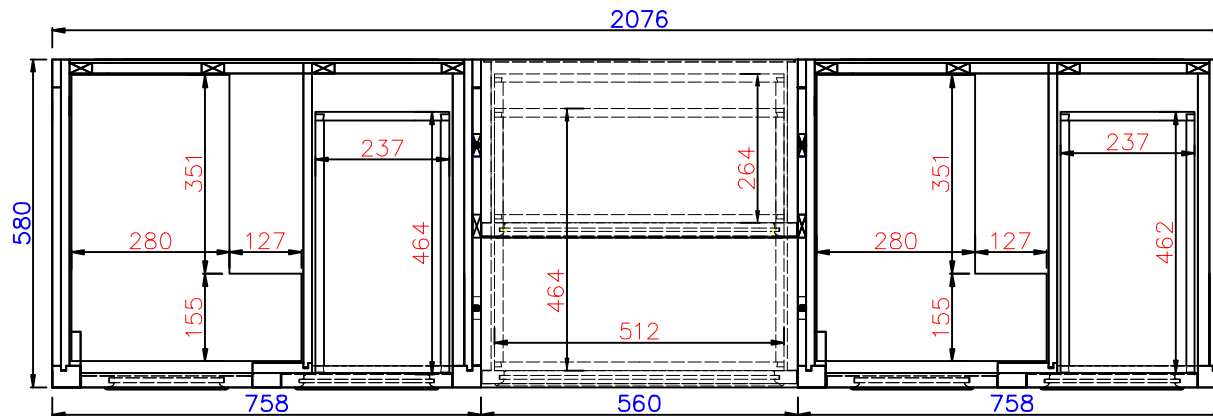
Item Number:
825-V30-BNM/BW/SL
825-DU22-BNM/BW/SL

JAMES MARTIN



VANITIES™

De Soto Drawer Unit (V30+DU22+V30)
Diagrams with Dimensions
page 02 of 03



NOTE ONE: Countertops are not shown in these diagrams .(Cabinet Only)

NOTE TWO: Internal Shelves (Shown) are designed to align with sinks in James Martin's Optional Countertops. Customers' own countertops and sinks may align differently, and modification may be required.

Please consult our website for Countertop Diagrams: www.jamesmartinvanities.com

Version: 201906

2076mm

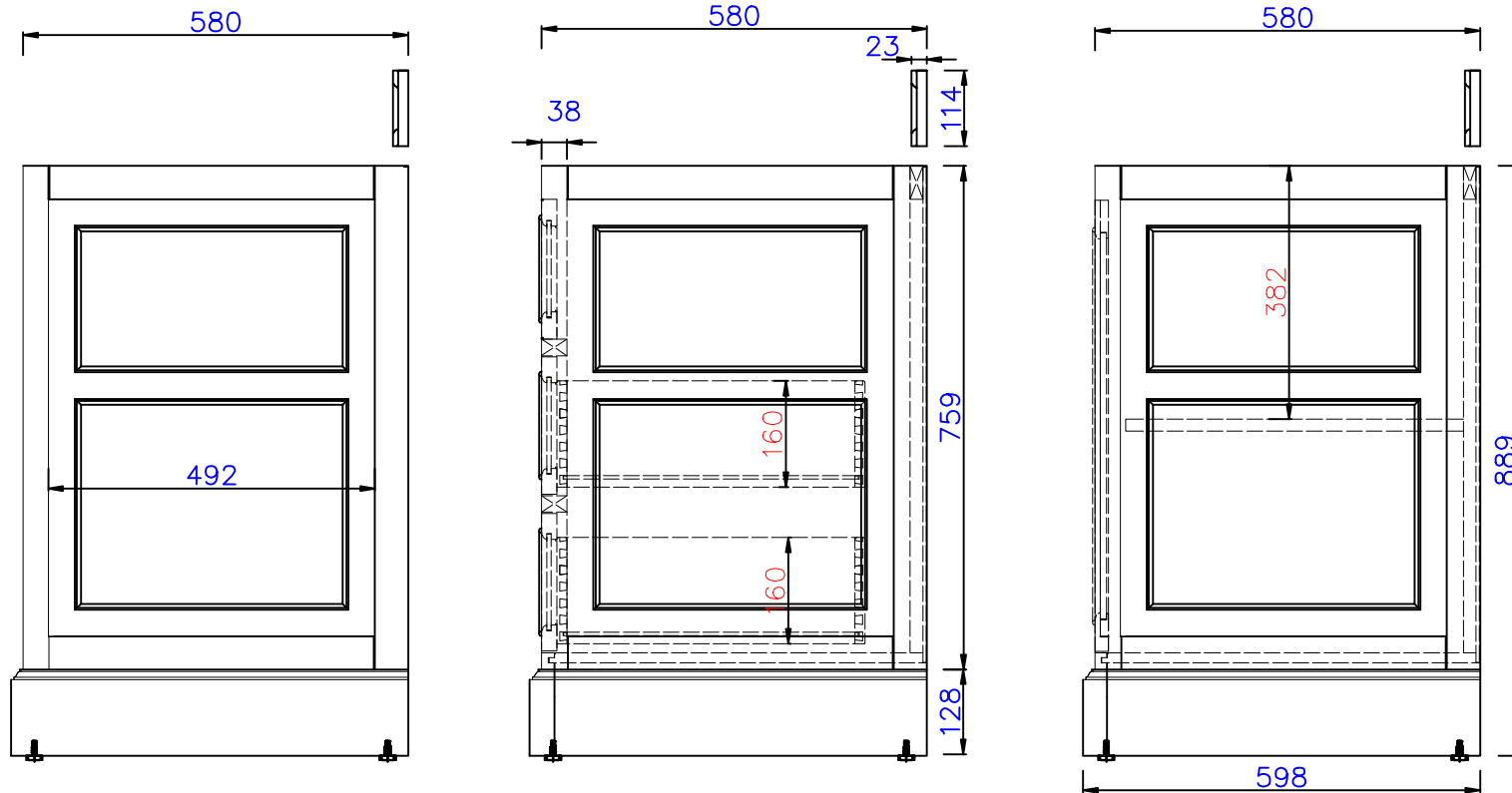
Item Number:
825-V30-BNM/BW/SL
825-DU22-BNM/BW/SL

JAMES MARTIN



VANITIES™

De Soto Drawer Unit (V30+DU22+V30)
Diagrams with Dimensions
page 03 of 03



NOTE ONE: Countertops are not shown in these diagrams .(Cabinet Only)

NOTE TWO: Wood Backsplash (Shown) is designed for the molding detail to align with sinks in James Martin's Optional Countertops.

Customers' own countertops and sinks may align differently.
Please consult our website for Countertop Diagrams: www.jamesmartinvanities.com

Version: 201906