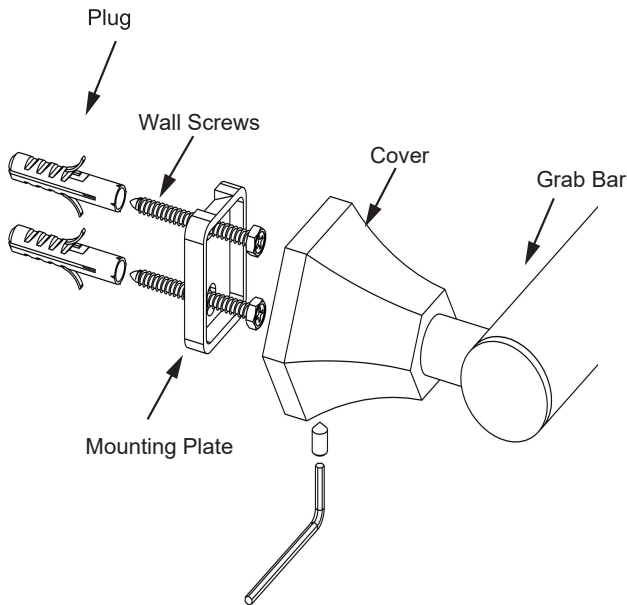


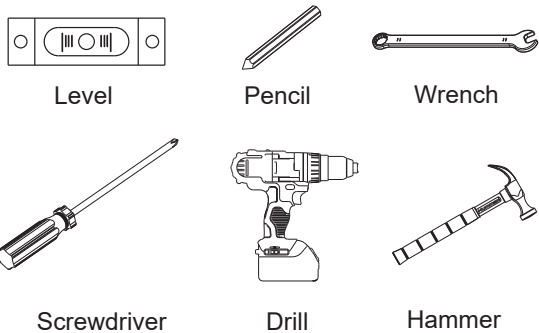
## PISA COLLECTION

### GRAB BAR

- 12" 3429212
- 18" 3429218
- 24" 3429224
- 36" 3429236
- 42" 3429242



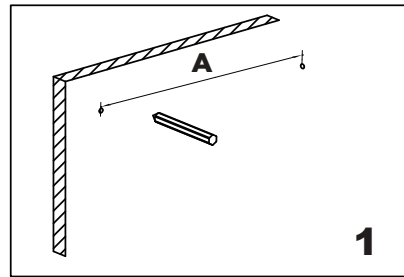
#### Tools required for installation



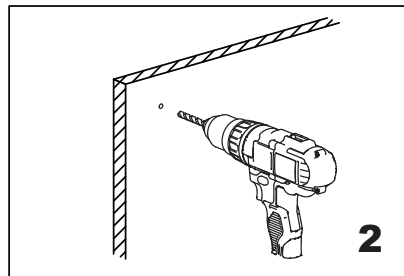
A=Plate TOP holes center to center distance  
 B=Plate TOP hole to BOTTOM hole distance  
 C=Plate TOP/BOTTOM holes to MID hole distance

Product Code	Sizes (Inches/mm) A
3429212	11 3/4" /300
3429218	17 3/4" /450
3429224	23 5/8" /600
3429236	35 1/2" /900
3429242	42 1/8" /1070

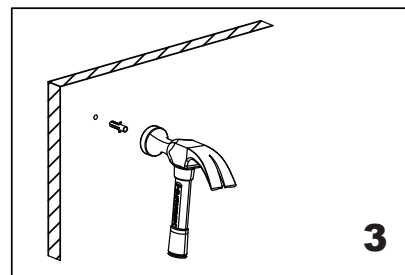
Fig.1



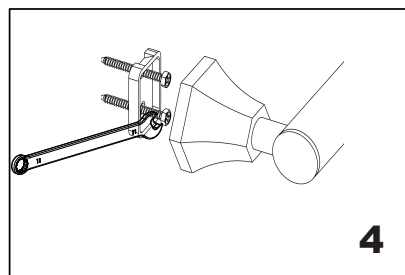
Mark (on the wall) locations of plugs through mounting plate using a pencil, refer to Fig.1



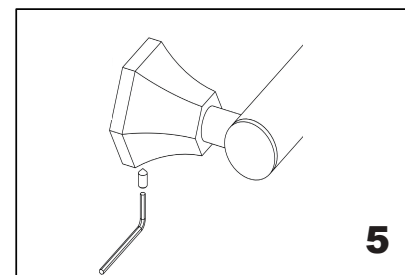
Drill 3/16" holes, make sure to keep drill level



Insert plugs into drilled holes, using a hammer to tap the plugs in, be careful not to break tile



Driver bolt nut directly into holes



Tighten the post on the Mounting plate and fix with Allen Key