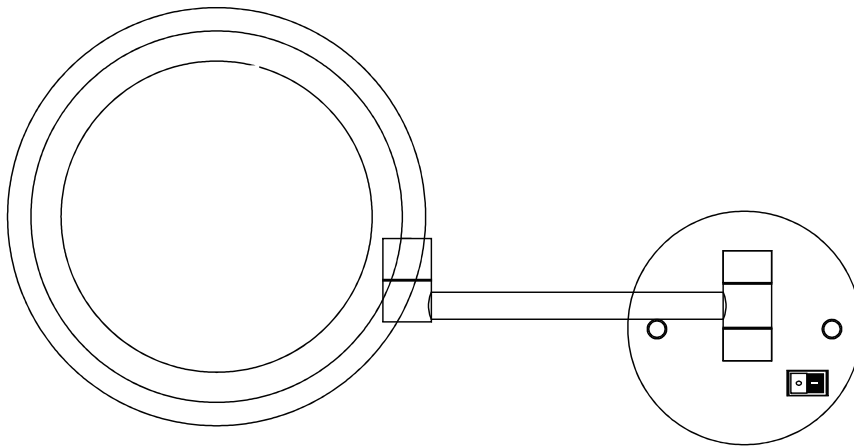


COSMETIC MIRRORS

8" LED MIRROR

KCM-RD-8LD



CONTENTS

Tools Needed - **2**

Parts - **2**

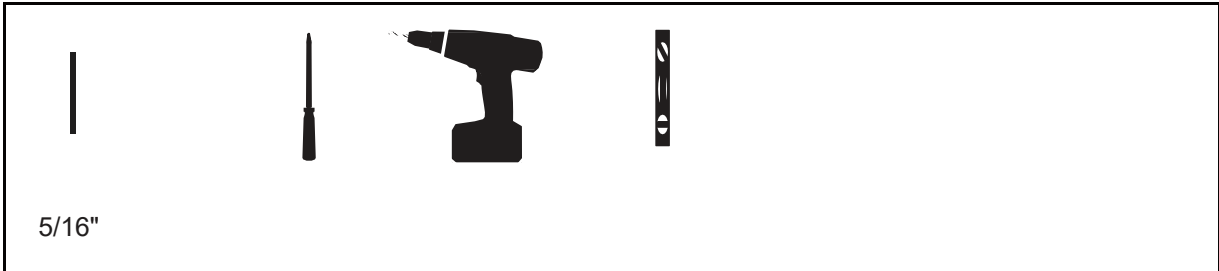
Notes - **3**

Hardwired Assembly - **4/6** Use and Maintenance - **7**

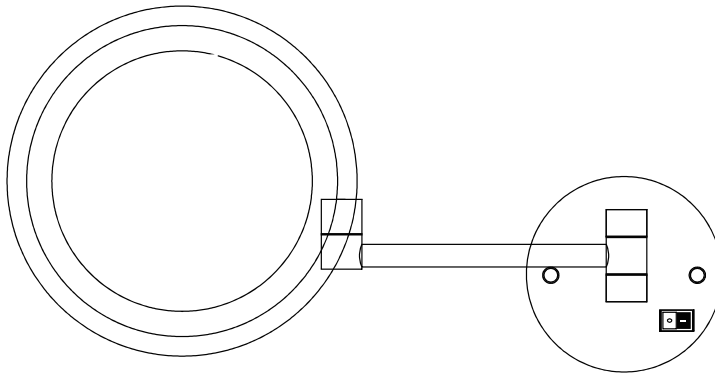
GENERAL INFORMATION

This instruction sheet contains information on how to install the Wall-Mounted Magnification Mirror. This series comes in many variations. Please refer to the box or product label for the specific model number. Save these instructions for future use and reference.

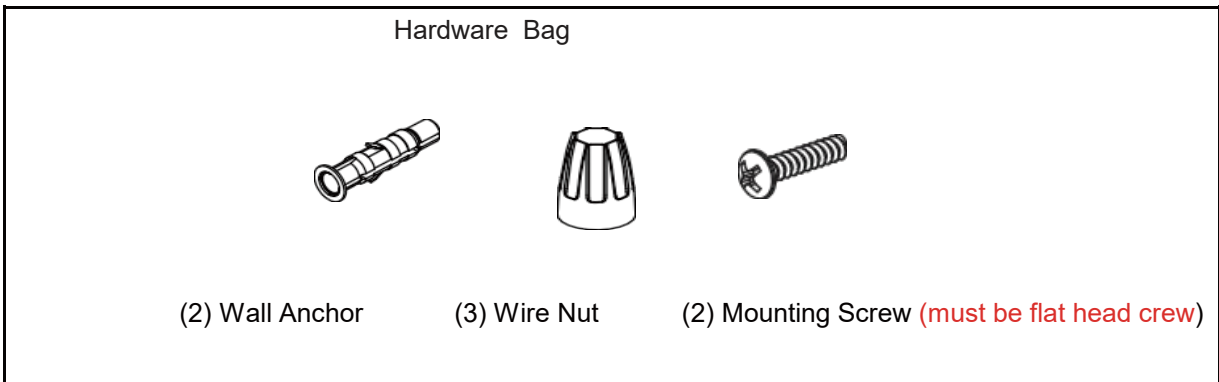
TOOLS NEEDED



PARTS



Magnification Mirror



IMPORTANT SAFETY INSTRUCTIONS

When using an electrical furnishing, basic precautions should always be followed, including the following:

Read all instructions before using (this furnishing).

DANGER – To reduce the risk of electric shock:

1. Always unplug this furnishing from the electrical outlet before cleaning or servicing.

WARNING – To reduce the risk of burns, fire, electric shock, or injury to persons:

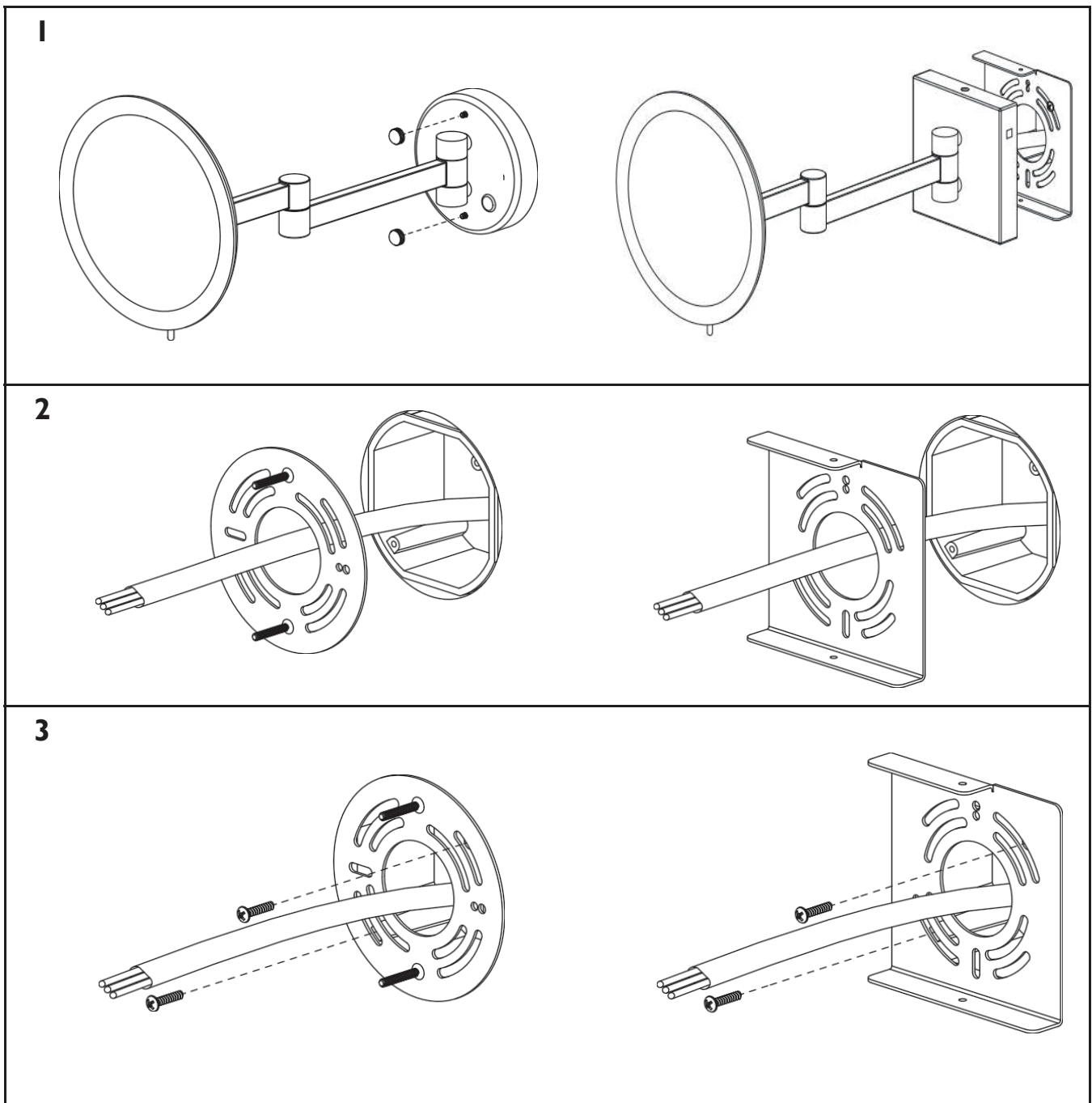
1. Unplug from outlet before putting on or taking off parts.
2. Close supervision is necessary when this furnishing is used by, or near children, invalids, or disabled persons.
3. Use this furnishing only for its intended use as described in these instructions. Do not use attachments not recommended by the manufacturer.
4. Never operate this furnishing if it has a damaged cord or plug, if it is not working properly, if it has been dropped or damaged, or dropped into water. Return the furnishing to a service center for examination and repair.
5. Keep the cord away from heated surfaces.
6. Never operate the furnishing with the air openings blocked. Keep the air openings free of lint, hair, and the like.
7. Never drop or insert any object into any opening.
8. Do not use outdoors.
9. Do not operate where aerosol (spray) products are being used or where oxygen is being administered.
10. To disconnect, turn all controls to the off position, then remove plug from outlet.
11. Mount furnishings at the correct height.

DANGER - RISK OF SHOCK - DISCONNECT POWER BEFORE INSTALLATION

HARDWIRED ASSEMBLY

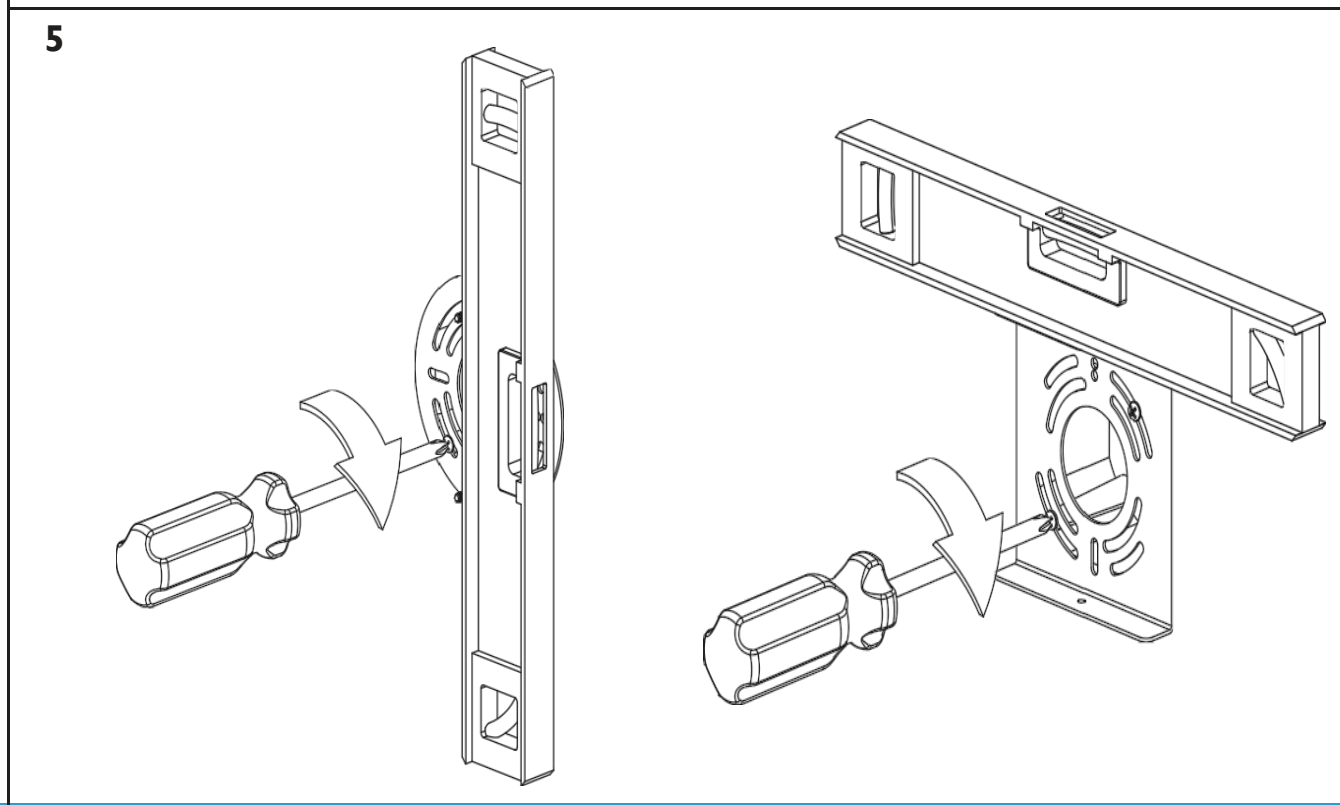
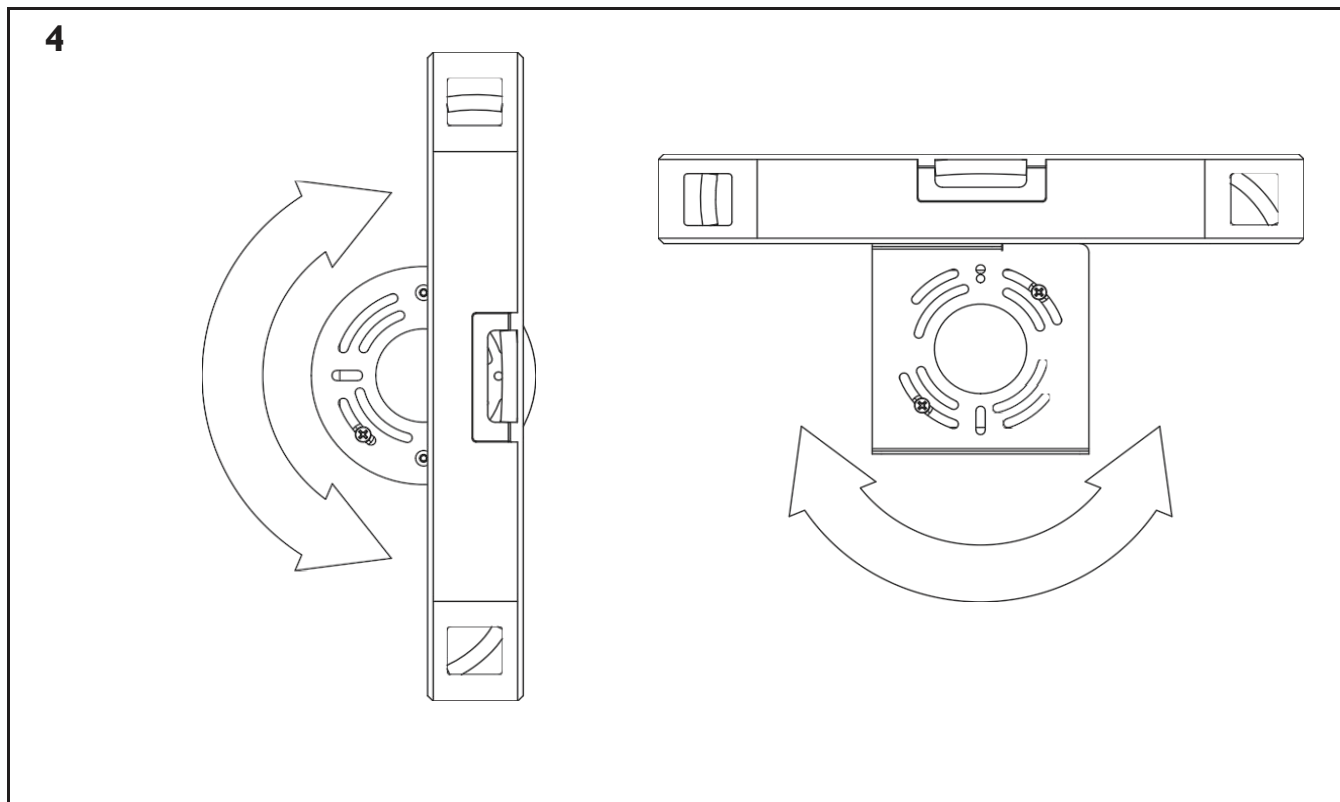
Important: DISCONNECT POWER BEFORE INSTALLATION

1. Remove the mounting plate by unscrewing the decorative nuts or screws on the the magnification mirror base. Set this hardware aside in a safe place.
2. Once the mounting plate is free, pass the field wiring through the center opening of the mounting plate.
3. Align the supplied mounting screws with the electrical box screw locations and loosely install screws.



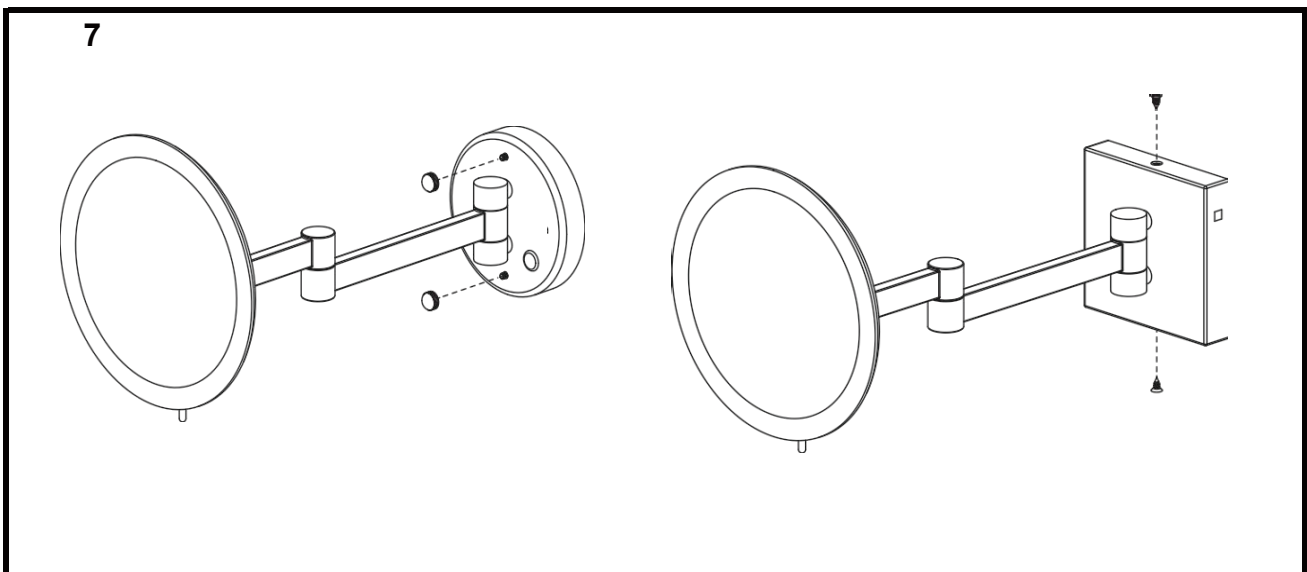
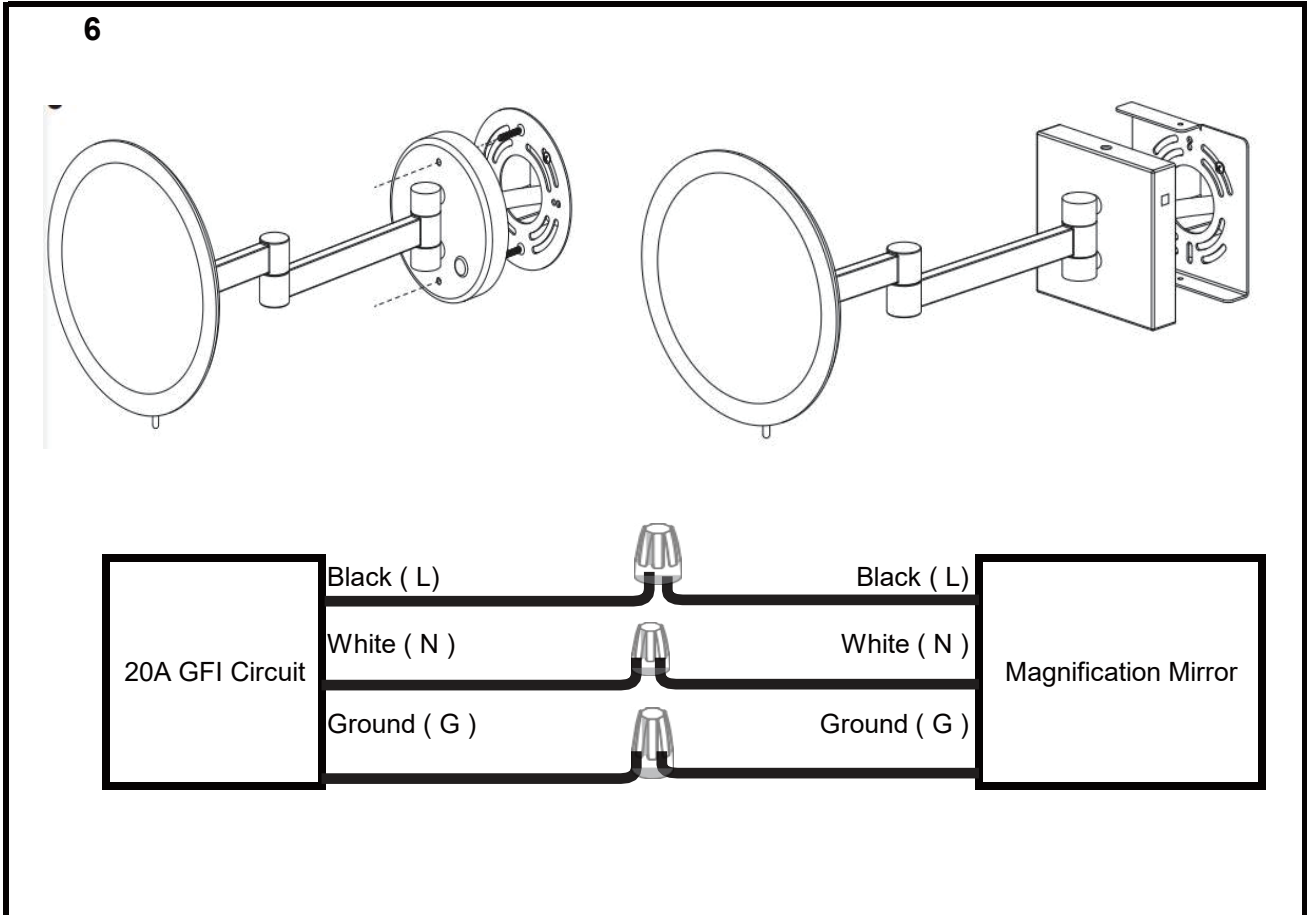
HARDWIRED ASSEMBLY

- Using a level, adjust the rotation of the mounting plate until it's level.
- While holding the mounting plate level, tighten the screws (**must be flat head screw**), securing the mounting plate to the electrical box.



HARDWIRED ASSEMBLY

- Using the wire nuts provided, make all electrical connections using the electrical diagram as reference.
- Push excess wire into the electrical box and reinstall the decorative nuts or screws removed in Step 1.



CLEANING AND CARE

NOTE: Under no circumstances should an ammonia-based cleaner be used on magnification mirror. When cleaning the mirror surface use only a lint-free polishing cloth for cleaning. To remove stubborn stains slightly dampen the cloth with water or rubbing alcohol. When cleaning the metal frame, use only a damp cloth.

NOTE: Do not use abrasive cleansers on any part of the magnification mirror.

No Ammonia No Vinegar

