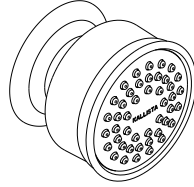
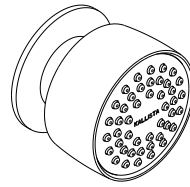


INSTALLATION INSTRUCTIONS



P22076



P22078

INSTALLATION INSTRUCTIONS

THANK YOU FOR CHOOSING KALLISTA

We appreciate your commitment to Kallista quality products. Please take a moment to review this manual before you install your Kallista product. If you encounter any installation or performance problems, please do not hesitate to contact us at the phone number listed at the bottom of the page.

BEFORE YOU BEGIN

SPECIAL NOTE: When installing this body spray, check valves shall be used in the hot and cold supplies to the mixing valve per the requirements of the Uniform Plumbing Code, International Plumbing Code and your local codes.

- Observe all local plumbing and building codes.
- Shut off the main water supply.
- Inspect the supply piping for damage. Replace as necessary.
- The appearance of your product may differ from what is shown in these instructions, however, the installation procedure is the same.
- Kallista reserves the right to make revisions in the design of products without notice, as specified in the Price Book.

TOOLS AND MATERIALS



Thread
Sealant



Wrench
(Included)

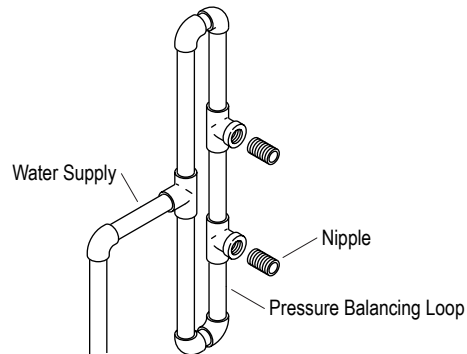


Strap
Wrench

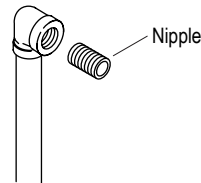
INSTALLATION INSTRUCTIONS

1. INSTALL THE SUPPLY PIPING

Multiple Bodyspray Installation



Single Bodyspray Installation



Multiple Bodyspray Installations

- Route the water supply lines.
- If installing more than one bodyspray off the same supply line, construct a pressure balancing loop. Locate a tee along the loop at each bodyspray installation location.
- Do not strap the pipes at this time.

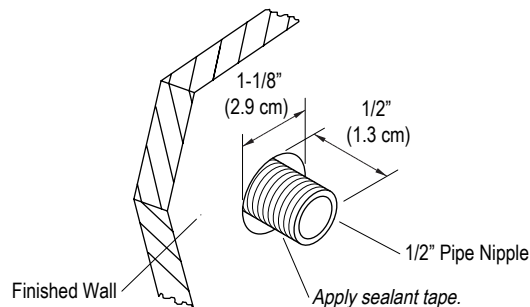
Single Bodyspray Installations

- Route the water supply line.
- Install an elbow to the end of the supply pipe at the bodyspray installation location.

All Installations

- Temporarily install a nipple to each tee/elbow. Do not use any sealant.
- Verify that the nipple(s) will extend 1/2" beyond the finished wall when fully tightened.
- Install appropriate backing and strap the pipes.
- Finish the wall

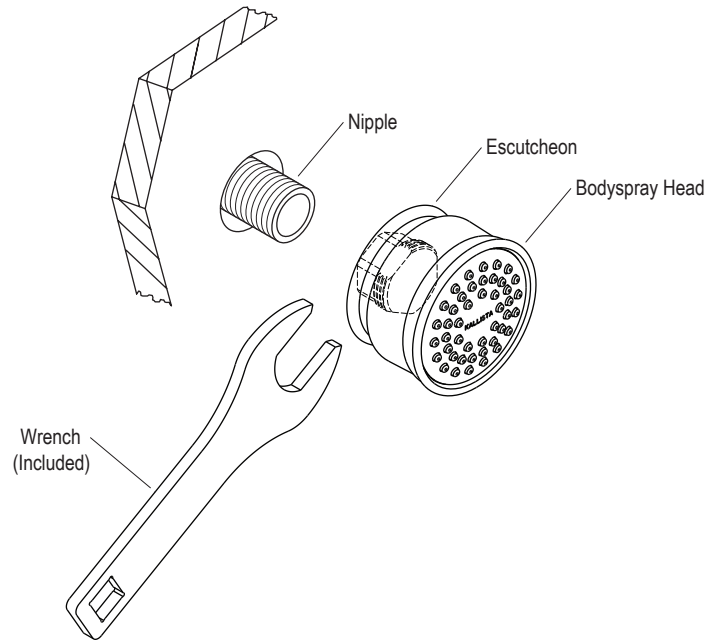
2. INSTALL THE PIPE NIPPLE



- Verify that the hole in the finished wall is 1-1/8" in diameter.
- Install a 1/2" NPT pipe nipple so that it extends 1/2" beyond the finished wall when fully tightened.
- Run water through the system to flush out dirt and debris.
- Apply sealant tape around the exposed threads of the pipe nipple.

INSTALLATION INSTRUCTIONS

3. INSTALL THE BODYSPRAY



- Turn the escutcheon until it is fully retracted into the ball joint.
- Using the included wrench, turn the bodyspray onto the nipple until it is snug.

NOTE: A 1/2" driver can be used with the included wrench to increase leverage.

- Turn the bodyspray head clockwise to the fully closed position.

NOTE: The valve only requires about 50° of travel to close, the bodyspray head will continue to rotate even after the valve is closed.

- Turn on the main water supply and the water supply to the bodyspray. Check for leaks. Repair as needed.
- Turn the bodyspray head counter-clockwise to open the valve and turn on the bodyspray. Check for leaks. Repair as needed.
- Turn the escutcheon until it is snug against the finished wall. A strap wrench can be used, if desired.