

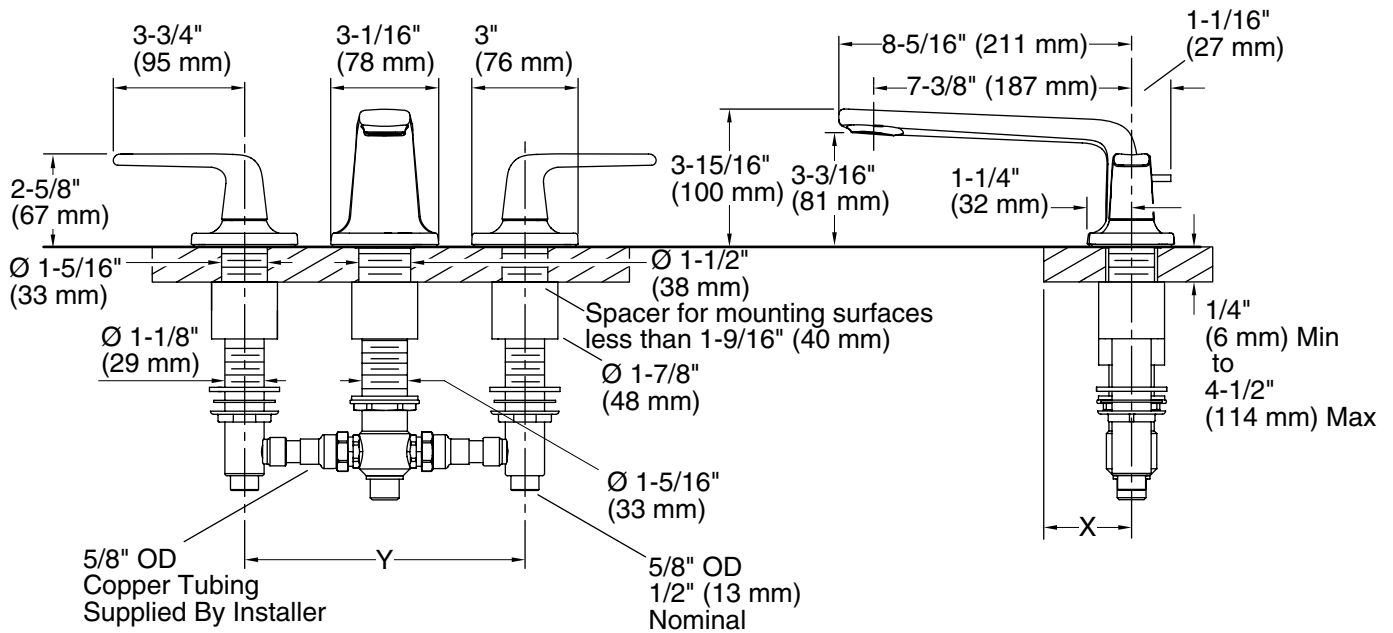
FEATURES

- Solid metal construction for durability and reliability
- Quarter-turn washerless ceramic disc valves
- Complements the Per Se collection

CODES/STANDARDS APPLICABLE

- Specified model meets or exceeds the following:
- ASME A112.18.1/CSA B125.1
 - ICC/ANSI A117.1

P24703



X = Distance from centerline of spout inlet to front of spout base plus 1/2" (13 mm).

Y = Distance between valve body centerlines vary. Minimum distance is 8" (203 mm).

SPECIFIED MODEL

Model	Description	Finishes			
P24703-LV	Per Se Deck-Mount Bath Set with Diverter	<input type="checkbox"/> CP Polished Chrome	<input type="checkbox"/> AD Nickel Silver	<input type="checkbox"/> AG Brushed Nickel	<input type="checkbox"/> W7 Black Nickel
Required Rough-In					
P19304-00	Deck-Mount Bath Valve with Diverter	<input type="checkbox"/> NA			
Required Accessories					
P21663-00	Contemporary Deck-Mount Handshower Trim	<input type="checkbox"/> CP Polished Chrome	<input type="checkbox"/> AD Nickel Silver	<input type="checkbox"/> AG Brushed Nickel	<input type="checkbox"/> W7 Black Nickel
P24761-00	Soft Modern Wand Dual-Function Handshower	<input type="checkbox"/> CP Polished Chrome	<input type="checkbox"/> AD Nickel Silver	<input type="checkbox"/> AG Brushed Nickel	<input type="checkbox"/> W7 Black Nickel

We reserve the right to make revisions without notice in the design of products or in packaging unless this right has specifically been waived at the time the order is accepted.