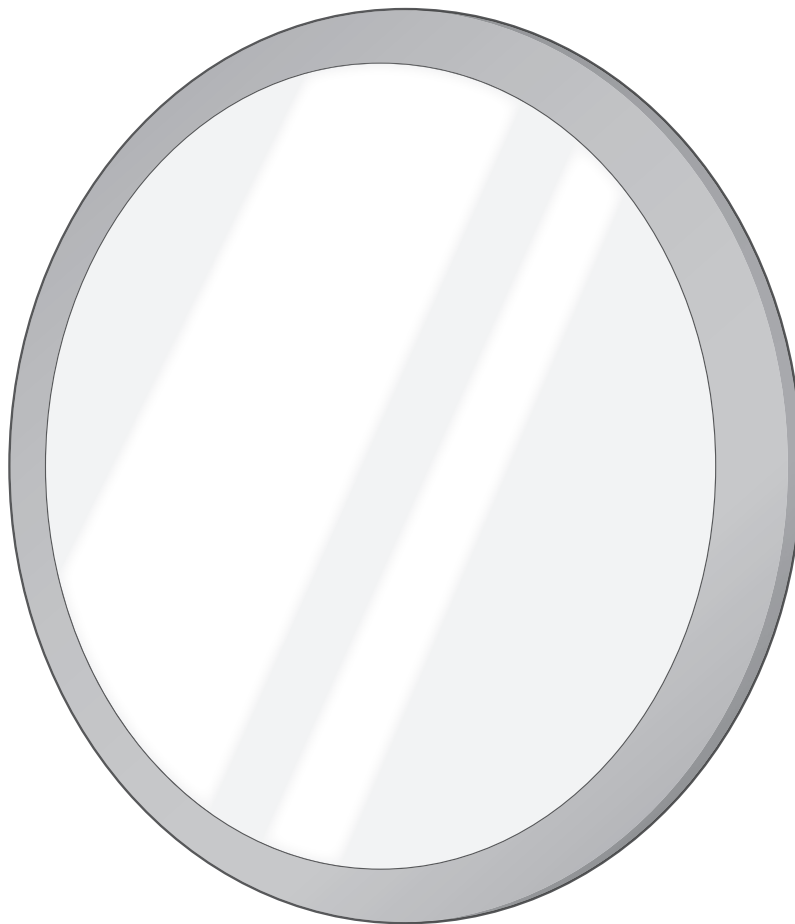


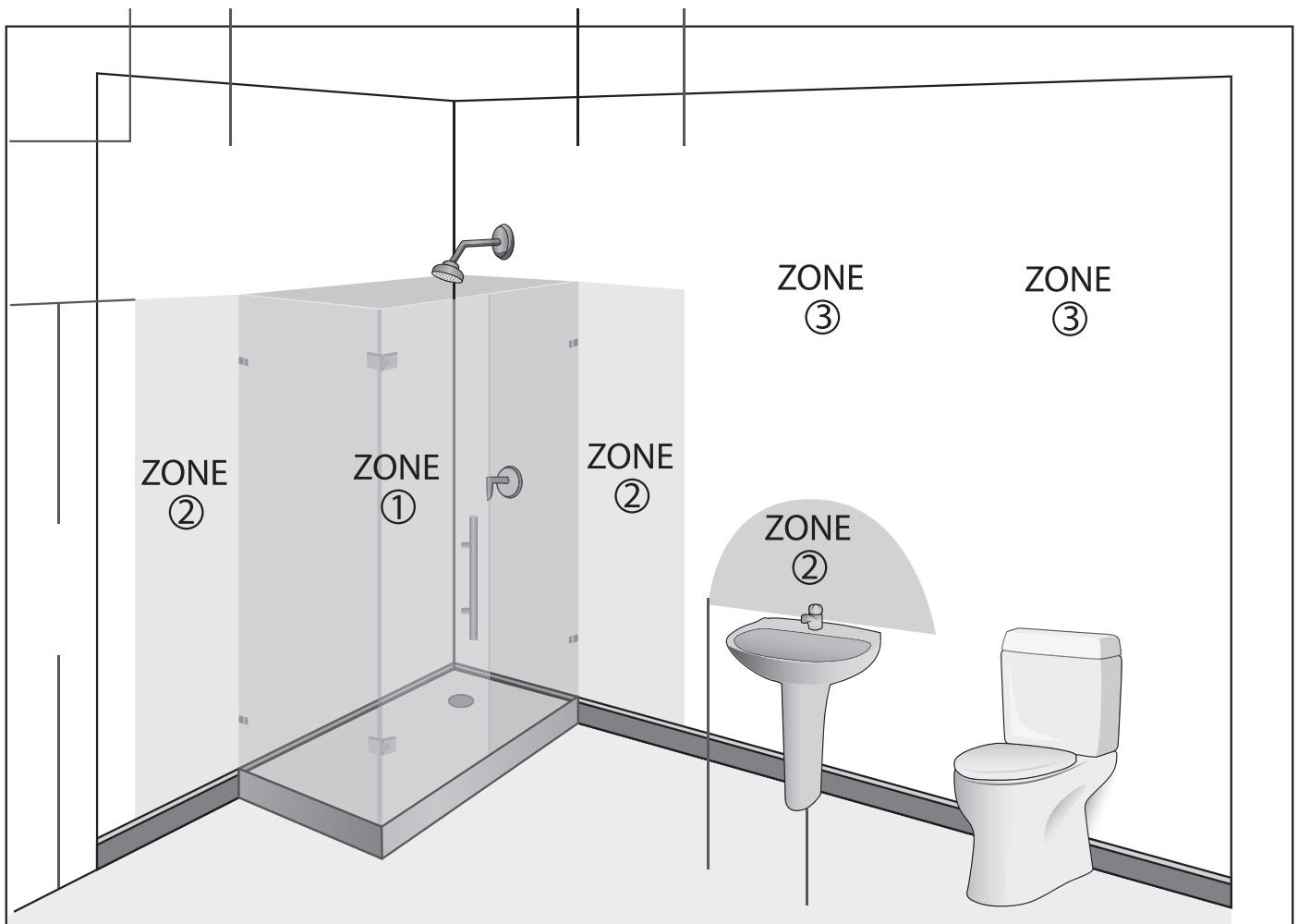
# SOL

## Bathroom Mirror Installation & User Guide



## WARNING

- All fittings must be installed in accordance with current IEE wiring regulations. If in doubt, consult a qualified electrician.
- Switch off the electrical supply at the main circuit board BEFORE installation and maintenance.
- Suitable for Bathroom Zones 2, 3 and non bathroom/dry areas. See diagram below.
- NOT suitable for above baths or Zone 1 nor for installation in Saunas, Steam Rooms or Shower Cubicles.
- DO NOT connect to a plug and socket outlet. Suitable for indoor use only.
- DO NOT fix to damp or conductive surfaces.
- Site well away from curtains and fabrics.
- Never cover the mirror.
- Switch off after use.



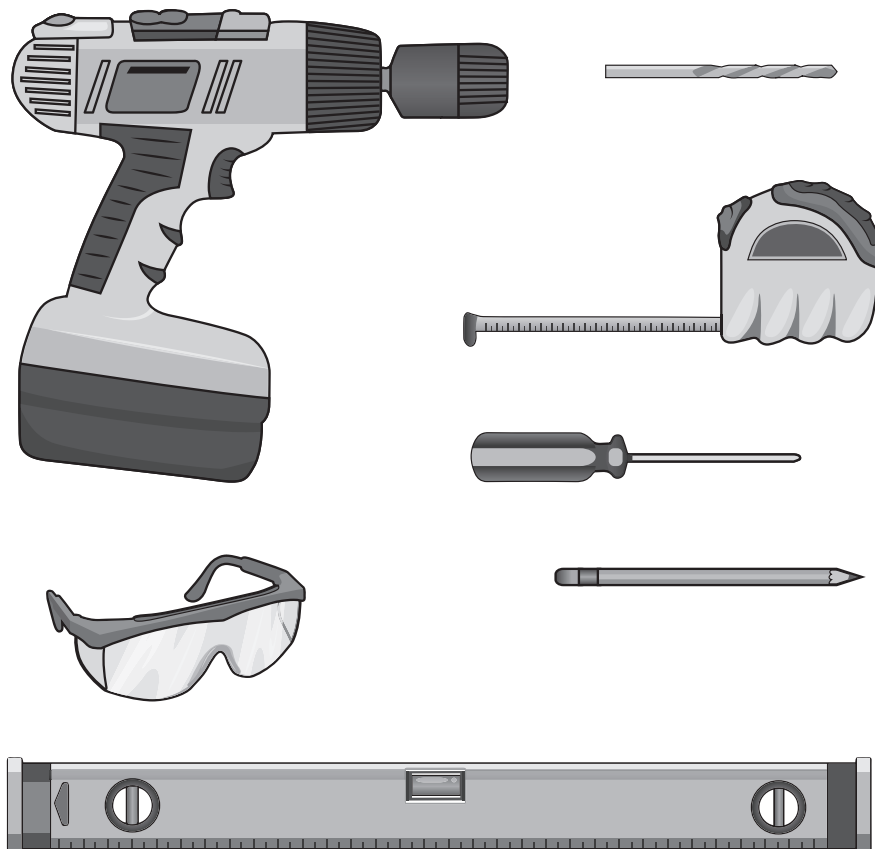
## IMPORTANT—BEFORE YOU BEGIN

- Inspect the product immediately upon receipt for transit damage or missing parts.
- Handle the product with care and protect against knocks to all sides and edges of the glass.
- Make sure that you have all the tools you need to complete the job. (SEE BELOW)
- Ensure there are no hidden pipes or cables in the wall before drilling.
- If drilling holes in ceramic tiles use a piece of masking tape on the tile to stop the drill bit from slipping.

### Aftercare Instructions

- Clean using a soft dry cloth only when turned off.
- Never use cleaning agents or abrasive materials.
- Do not allow moisture to come into contact with lamps.

## TOOLS USED



## ELECTRICAL WIRE INFORMATION

### Sol Electrical Connection

The LED Driver inside the Sol mirror already has converted the electric to 110 volts. You are able to connect lead coming out the back of the mirror directly to your electrical connection box.

#### **The Lead Contains 3 Wires:**

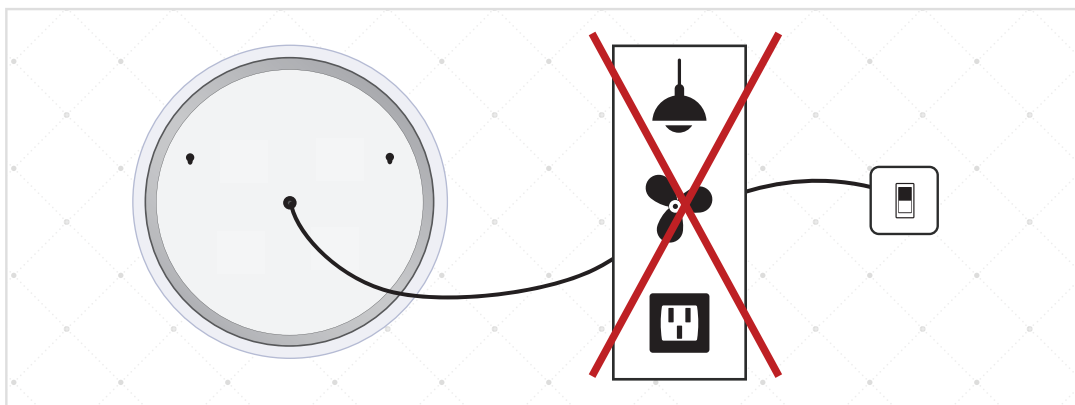
**COPPER WIRE (GREEN)** = *GROUND WIRE*...Connect to *GROUND WIRE* in your box, or to the box as a ground.

**WHITE (or BROWN)** = *NEUTRAL WIRE*...Connect to the *WHITE NEUTRAL WIRE* in your box.

**BLACK (or BLUE)** = *HOT WIRE*...Connect to the *BLACK HOT WIRE* in your box.

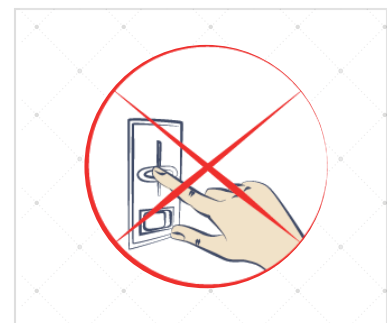
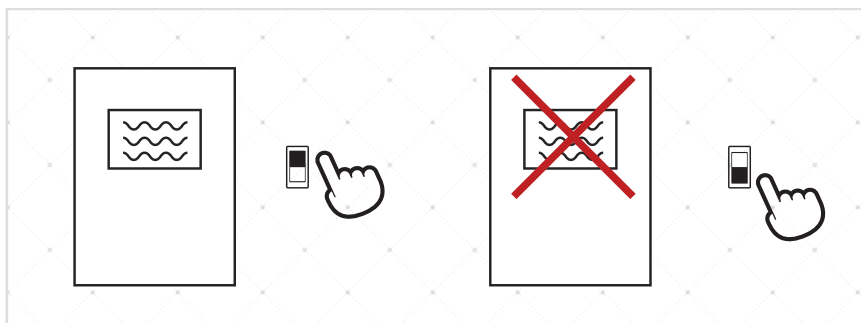
The Sol wires will be connected to your 110 Volt electric box. This should be placed in the wall, behind your Sol Mirror. The suggested method for placement is towards the center, however there is flexibility with the lead wire.

*Sol Mirror requires a dedicated electrical line*

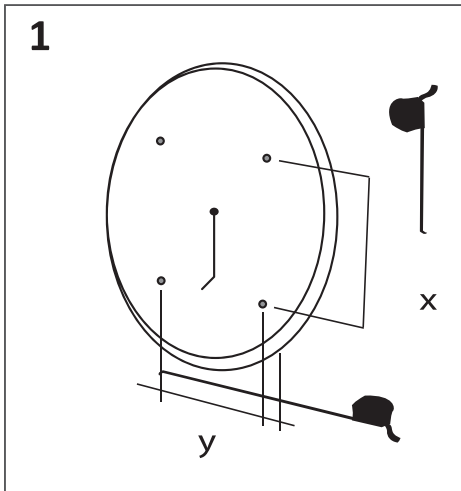


*Install optional outside switch to control the defogger  
Refer to how to use guide for more information*

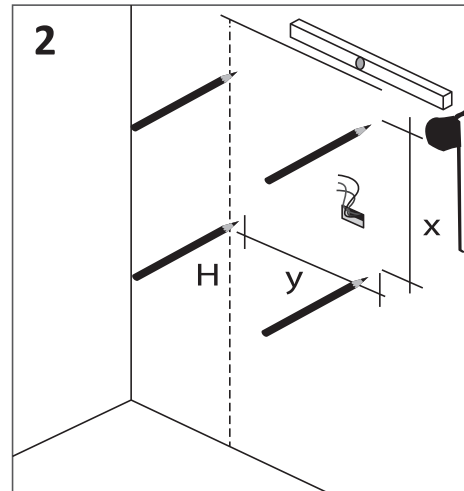
*You CANNOT use an outside dimmer with the mirror*



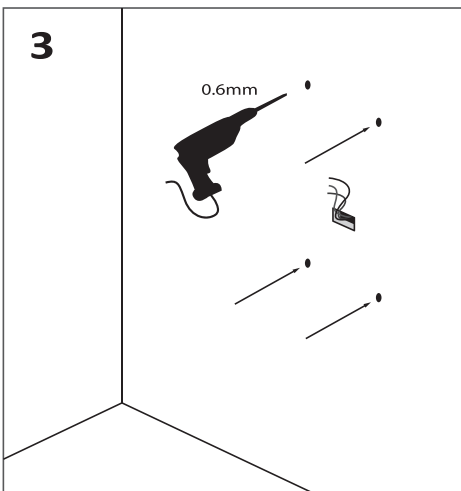
## INSTALLATION GUIDE



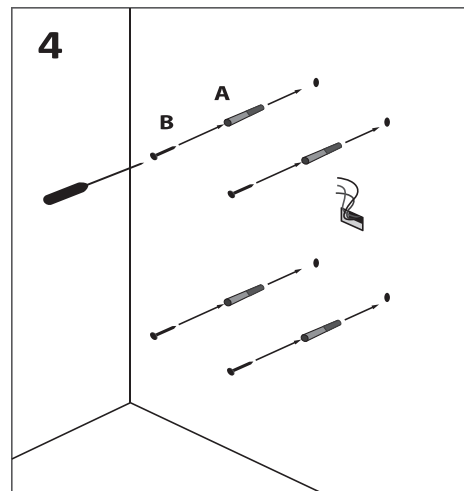
Measure distance between anchor positions



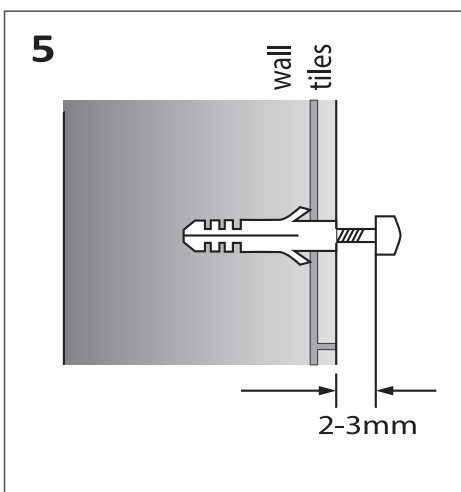
Mark hole positions on the wall ready for drilling



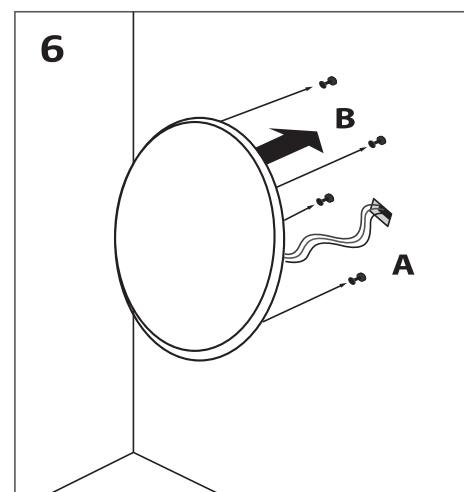
Carefully drill each of the holes



Insert anchors into predrilled holes



Drive in the screws leaving 2-3mm showing



Hang the mirror with care onto the screws making sure it's secure

## USE AND MAINTENANCE

- The interior is constructed of mirrored glass and aluminum. Use only a damp cloth to clean. Ammonia or vinegar-based cleaners can damage mirrors.
- When cleaning, spray the cloth, not the mirror, or surrounding surfaces. Do not use abrasive cleansers on any part of the light fixture.

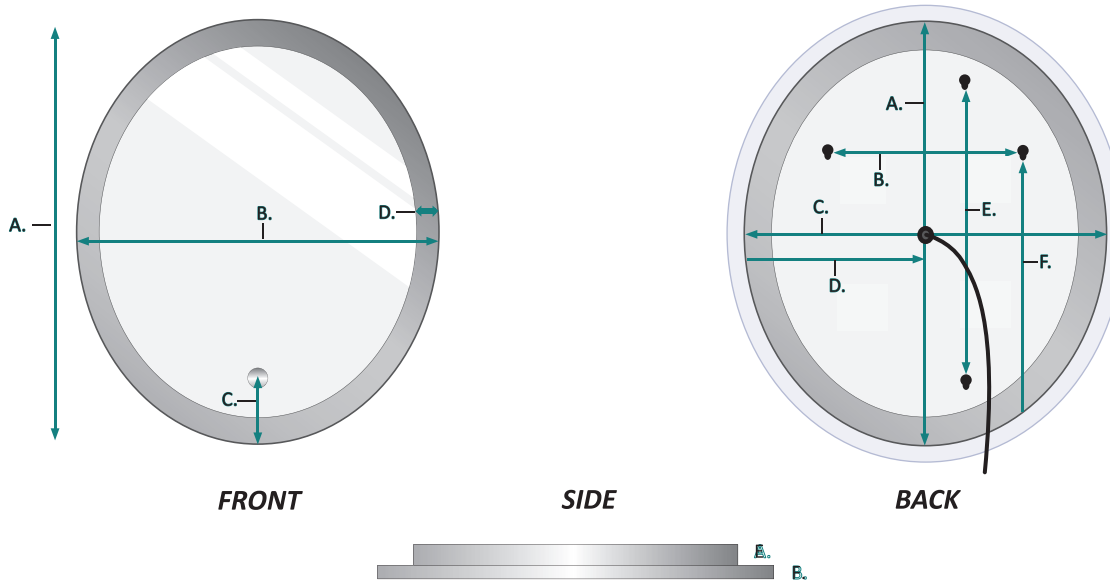
## LIMITED WARRANTY

Subject to the terms and conditions specified herein, Krugg Reflections USA LLC, (“KRUGG”) hereby extends a limited lifetime warranty (this “Limited Warranty”) to original Purchasers (as defined below) of the Krugg LED Medicine Cabinet (the “Product”) with respect to certain specified components of the Product. Specifically, KRUGG, by this Limited Warranty, warrants that, for the durations specified herein, Products purchased directly from KRUGG or KRUGG’s authorized retailers will be free of defects in the material and workmanship of the Product’s electrical components, glass, mirrors, and certain mechanical components, which defects would cause the Product to substantially fail to function when subject to normal use.

## COMMERCIAL WARRANTY

Subject to the terms and conditions specified herein, Krugg Reflections USA LLC, (“KRUGG”) hereby extends a limited one-year warranty (this “Limited Warranty”) to Commercial Purchasers (as defined below) of the Krugg Stainless Steel Laundry Bin & Hamper (the “Product”) with respect to the external finish of the Product. Specifically, KRUGG, by this Limited Warranty, warrants that, for a one-year period, the finish on Products purchased directly from KRUGG or KRUGG’s authorized retailers will be free of defects in workmanship and material.

Additional Warranty Information can be found @ <http://www.kruggusa.com>  
For any installation and warranty related issues, contact us at [info@kruggusa.com](mailto:info@kruggusa.com)



**FRONT & SIDE**

MODELS	A	B	C	D	E	F	ELECTRIC CURRENT	WATTAGES
SOL22	22	4	1-1/4	-	1-1/2	3/16	0.24A	26.4W
SOL27	27	4-1/4	1-1/4	-	1-13/16	3/16	0.27A	29.7W
SOL2030	30	20	4	1-1/4	1-1/2	3/16	0.34A	37.4W

**BACK**

MODELS	A	B	C	D	E	F
SOL22	15-5/16	18-5/16	12	1-1/8	-	-
SOL27	23-11/16	21-1/4	13	1-1/8	-	-
SOL2030	24-5/8	14	16-7/16	5-1/2	22-3/8	15