

ICON 7230 Wall Mirror - Specification Sheet

Features

- Dimmable LED task lighting
- Integrated touch sensor control with memory
- Energy efficient LED lighting 6000K
- 6380 Lumens
- CRI 90+
- Integrated Defogger

Construction

- Quality polished edge mirror
- Single phase wire installation, silver backed, copper free
- Construction for surface mounting
- Includes installation hardware

Codes/Standards Applicable

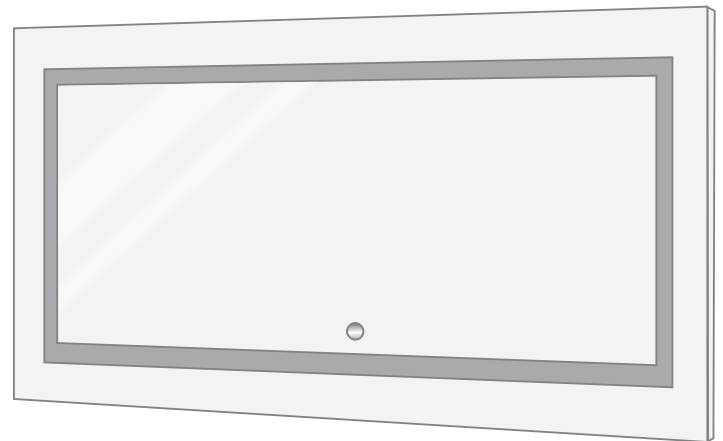
- Conforms to UL Std. 962
- Cert. to CSA Std. C22.2 No.250.0-08
- ETL Intertek 5004931

Electrical System

- 120Vac, 60Hz, 74.8W
- Electric Current: 0.68A
- Wattage: 74.8W

Model

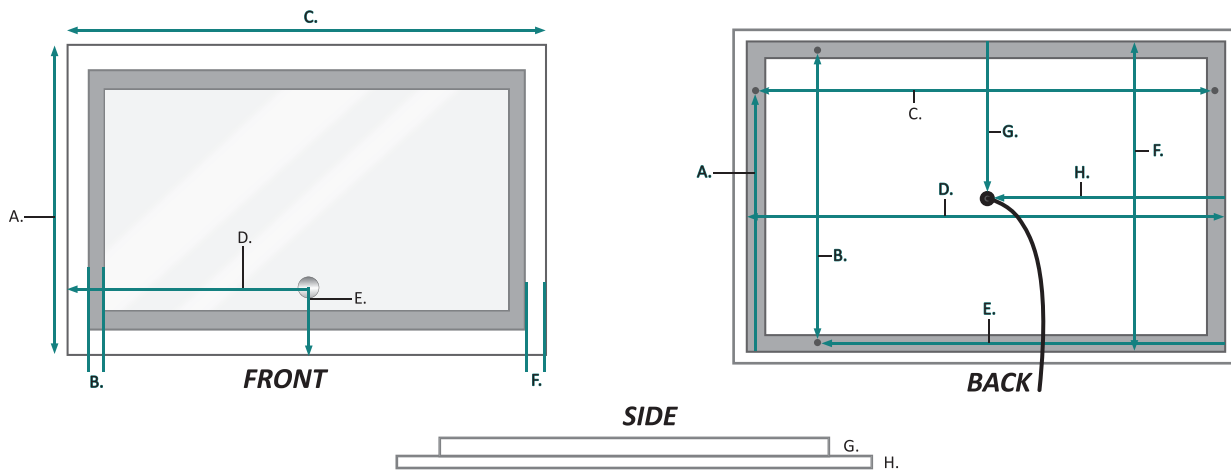
- ICON 7230



ICON 7230 Wall Mirror - Specification Sheet

Dimensions

- Height: 30"
- Width: 72"
- Depth: 1-9/16"



FRONT & SIDE

MODEL	A	B	C	D	E	F	G	H
ICON7230	30	1-1/8	72	30	5-1/2	1-11/16	1-5/16	1/4

BACK

MODEL	A	B	C	D	E	F	G	H
ICON7230	25-1/4	28-1/2	70-1/2	71-3/8	68-7/8	29-1/8	14-3/4	35-7/16