



ENGINEERING EXCELLENCE

Mod Series #X-6400030 SPECIFICATION SHEET

DESCRIPTION

- Bath Waste & Overflow-Lift & Lock Strainer
- 1-1/2" Coarse Thread

FINISHES

- PC Polished Chrome
- BN PVD Brushed Nickel
- ORB Oil Rubbed Bronze



#X-6400030 SHOWN

STANDARDS APPLICABLE

- ASME A112.18.1

Model #: _____

Specific Features: _____

Project Name: _____

Submitted For: _____

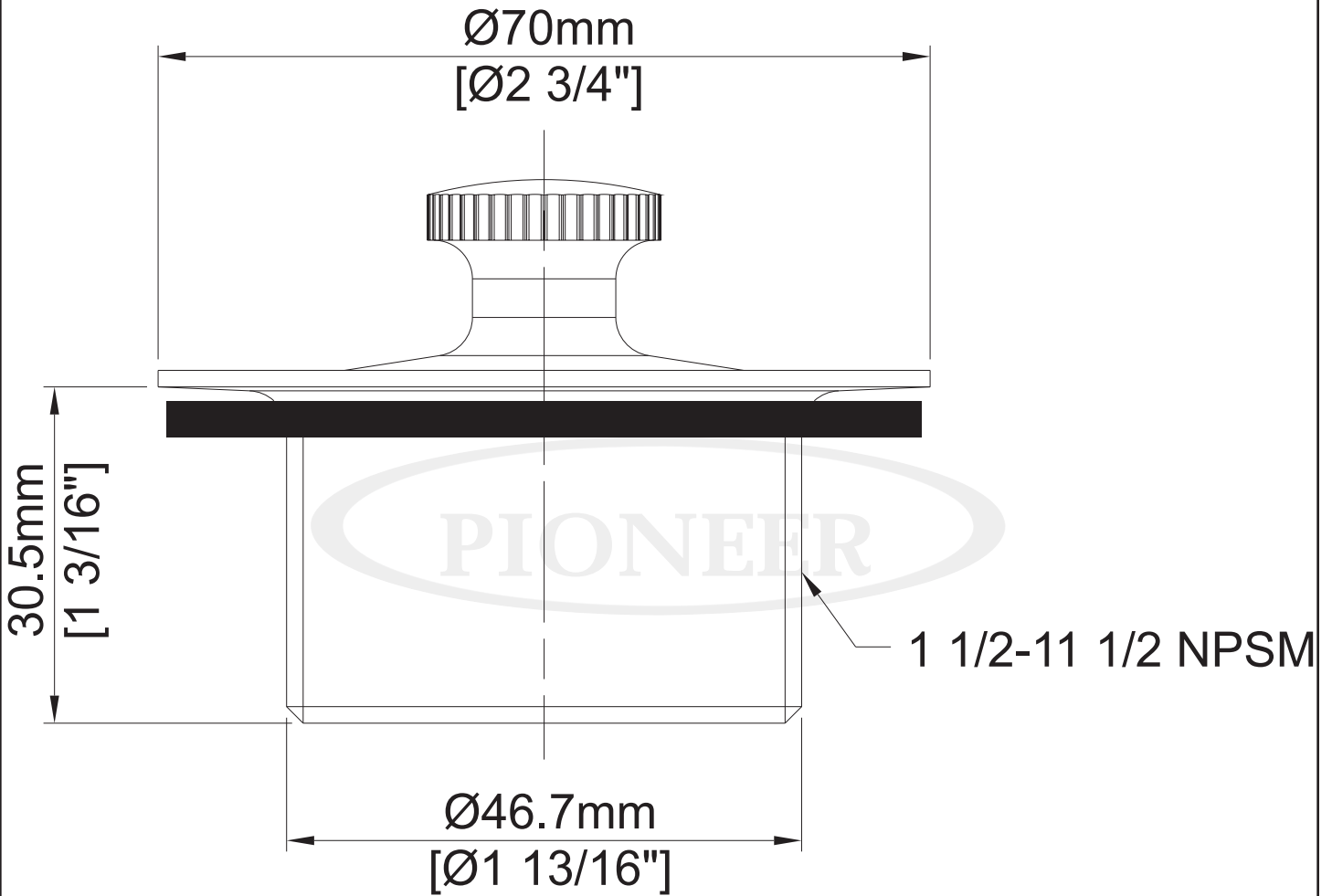
Model	Description	Finishes	
#X-6400030	Bath Waste & Overflow-Lift & Lock Strainer	<input type="checkbox"/> PC	<input type="checkbox"/> Other__



ENGINEERING EXCELLENCE

Pioneer: 1-800-338-9468
Commerce, CA 90040
www.pioneerind.com
Pioneer Industries, Inc. © 2018

DMSPX-6400030/REV. 02 2018
Page 1 of 2



Product Diagram



ENGINEERING EXCELLENCE

Pioneer: 1-800-338-9468

Commerce, CA 90040

www.pioneerind.com

Pioneer Industries, Inc. © 2018