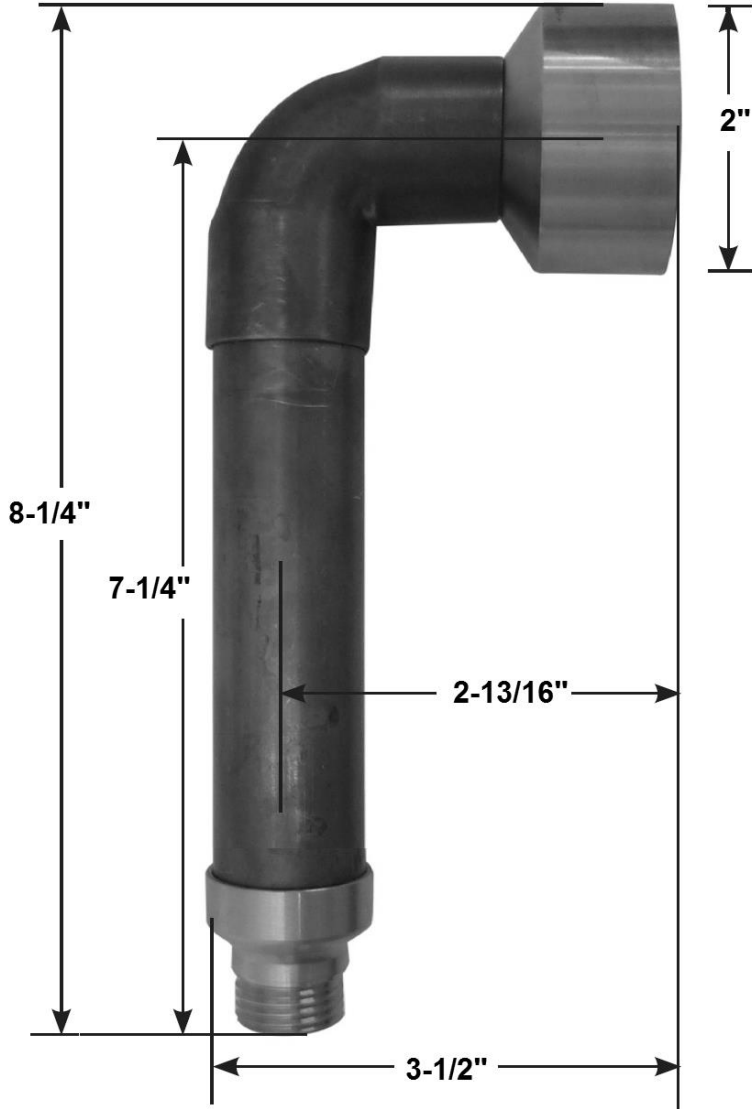




PRODUCT SPECIFICATIONS

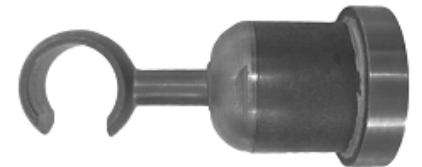
Handshower Kit
WB-10-255

Dec 2013



WATERWAY

BRACKET



59" HOSE

- ADA Compliant
- Custom finishes available

Connection	1/2" NPT
GPM	2.5