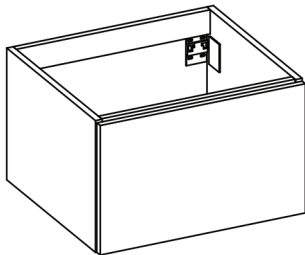


GUILDER VANITY COLLECTION

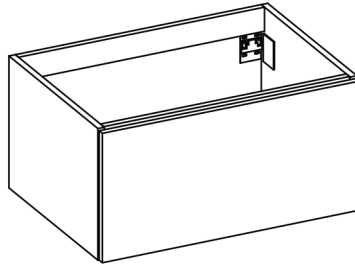


THE
FURNITURE GUILD

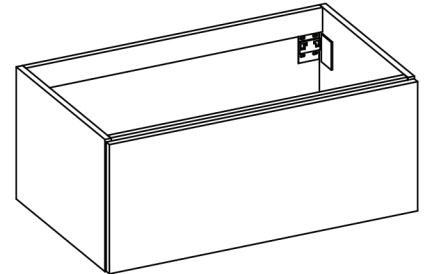
24"



30"



36"



TOOLS AND EQUIPMENT



IMPORTANT - PLEASE READ BEFORE INSTALLATION

Please read these instructions carefully before starting the installation process and keep in a safe place for future reference.

Important: To reduce the risk of product damage, DO NOT modify the vanity. Doing so will compromise the structural stability and void the warranty. This manual contains proper information on how to install the Guilder Collection.

Note: This series comes in several sizes however the installation procedures remain the same. Observe all local building codes. Two people should install this product.

This vanity series needs specific site preparation. Do not install your vanity until all support framing and plumbing rough-ins have been completed and wall surface is finished.

Secure the vanity to stud framing. When possible, provide 2x6 timber behind the finished wall for additional support. To ease the installation process, remove the drawer from the vanity before installation. Refer to the section in this guide for drawer removal.

This product should only be installed by a qualified professional plumber or contractor. If the installation is completed by a non-qualified professional person, any product guarantee may be considered invalid. Ensure the room is well heated and ventilated.

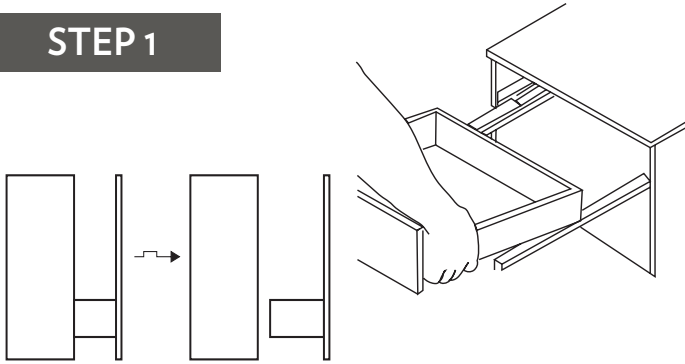
Warning: always check for any hidden pipes or electrical cables before drilling holes in the floor or walls. Do not over tighten tap or waste fittings. Doing so may result in damaging the countersink.

The vanity can only be installed using the fitting brackets supplied. Before installing a wooden bathroom product into a new property extension or recently plastered room we strongly advise the building/room be completely dry, well ventilated, and adequately heated prior to installation.

Save these instructions for future use and reference. An improper installation voids the warranty. Installed vanities cannot be returned. If you experience any problems with your vanity, contact your dealer or The Furniture Guild directly.

INSTALLATION INSTRUCTIONS

STEP 1

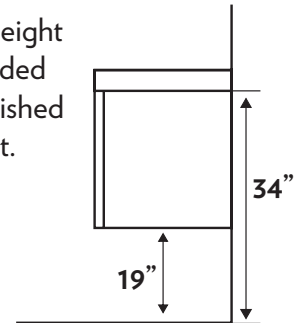


Pull out the drawer to its full extension by gently gripping the release levers on both sides and pull the drawer off the runners at the front.

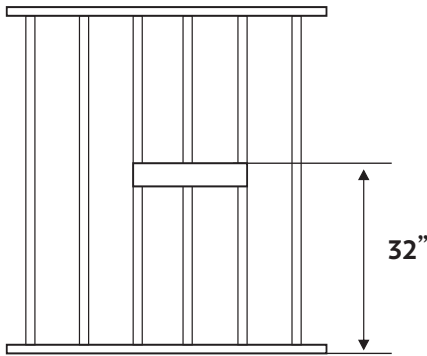
STEP 2

Plan Vanity Position

Decide on the position and height of the vanity. The recommended sink height is 34" from the finished floor to the top of the cabinet.



STEP 3



To properly support the weight of the vanity and countersink, secure to stud framing or 2x6 bracing behind the finished wall.

When installing 2x6 bracing, front-notch the studs to ensure the bracing sits flush against the studs. The bracing should span the length of the vanity.

Consider for routing supply and drain piping for your desired sink.

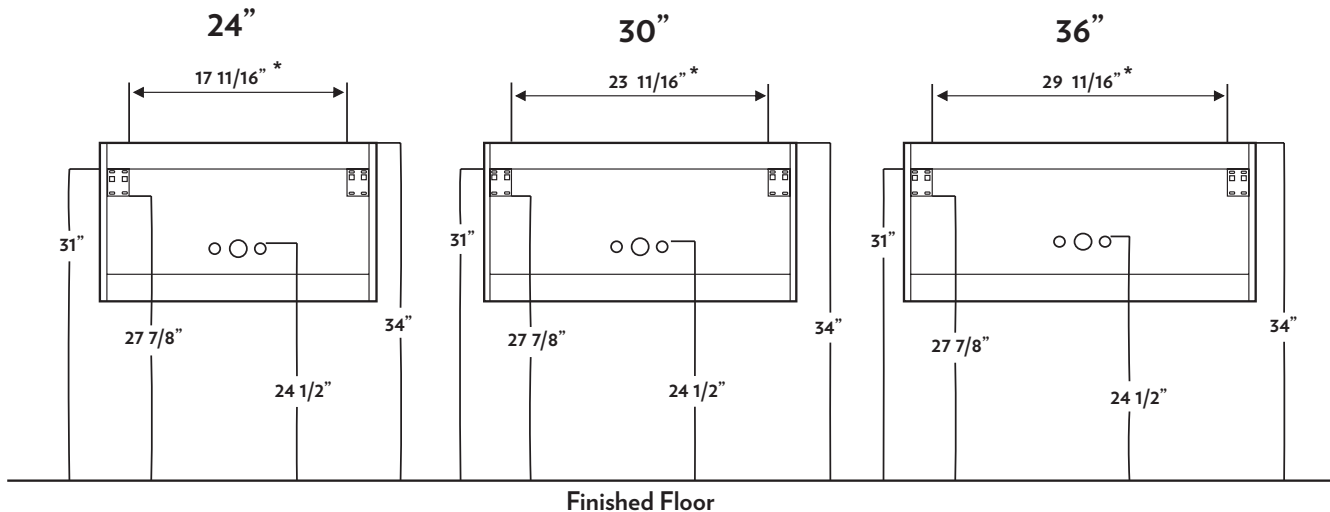
IMPORTANT: To ensure proper support and alignment the finished wall must be straight and plumb.

Complete and finish the wall decoration or tiling before vanity installation.

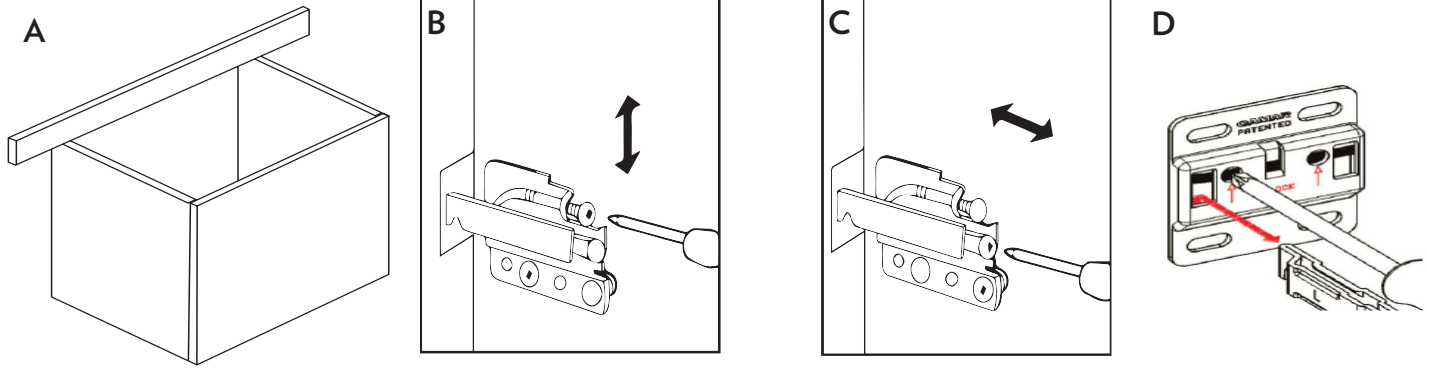
STEP 4

Bracket and Plumbing Placement

*space between brackets

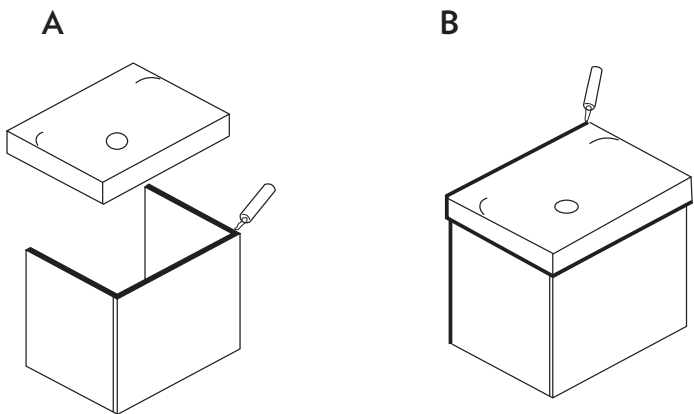


STEP 5



- a: Check to see if the vanity is level. If leveling is required, use a screwdriver to adjust the hanging positions, as follows:
b: To lift or lower the unit, adjust the screw shown.
c: To move the unit closer or further from the wall, adjust the screw shown
d: To remove the vanity from the wall bracket, use a screwdriver as shown

STEP 6



- a: Carefully apply silicone to the top edges of the vanity.
b. Carefully position the basin down onto the vanity, ensure it is centrally positioned and flush at the back.

Connect the faucet and drain in accordance with the manufacturer's instructions. Apply silicone to the joint between the worktop and wall, down sides of the vanity and round the base of the countersink.

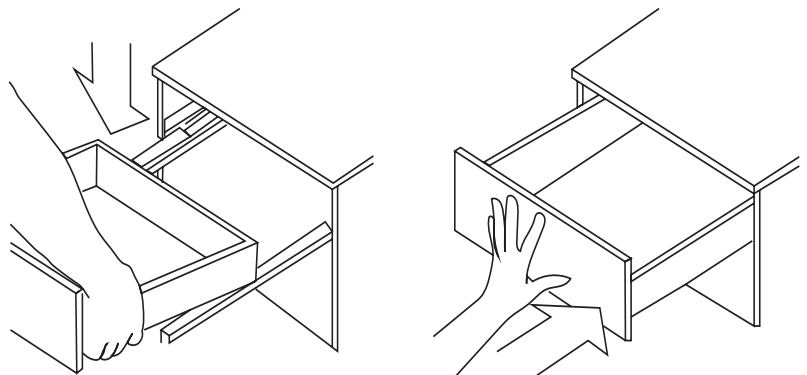
Let silicone dry for 24 hours.

STEP 7

Re-Fit Drawers:

1. Pull drawer runners fully out.
2. Set the drawer down onto the runners.
3. Push the drawer fully in.

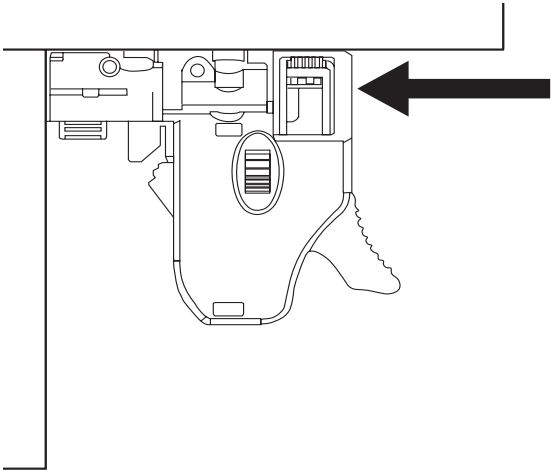
Test to make sure the drawers operate correctly and there are no obstructions behind the drawer.



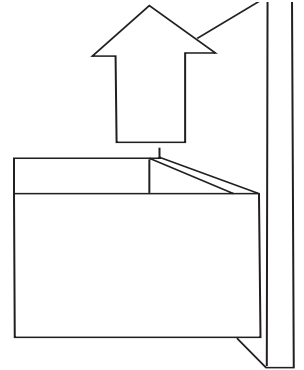
DRAWER RUNNER ADJUSTMENTS

STEP 1

FRONT HEIGHT ADJUSTMENTS

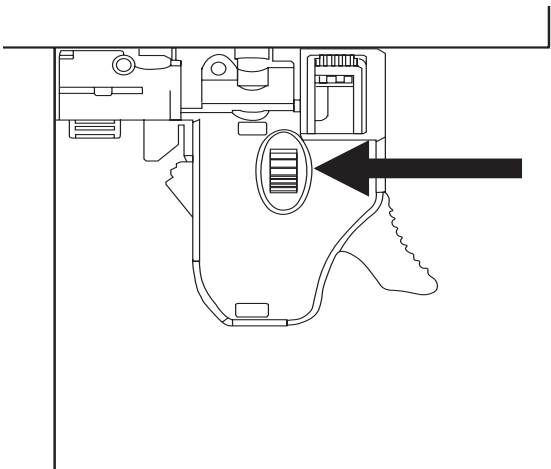


- For height adjustments, squeeze and pull the front lever up and down to raise or lower the drawer height.

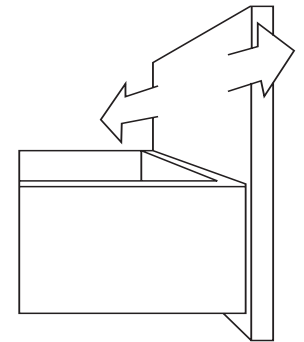


STEP 2

SIDE ADJUSTMENTS



- Rotate the red wheel away from you to move the drawer to the left
- Rotate the red wheel toward you to move the drawer to the right



CLEANING GUIDE

The Furniture Guild products are designed to be easy to clean. After each use, simply wipe your vanity down with a soft cloth to remove any surface dirt. Do not leave any standing water on your vanity.

For general cleaning, we recommend using warm water and a mild soap. Do not use abrasive products or cream cleaners as these can damage the finish.

Never use any petroleum-based products when cleaning like paint thinner or other such solvents. They will damage the vanity.

To clean the Fireclay countersink, use a soft, dampened sponge or cloth and mild soapy water. Never use strong or abrasive cleaners.

Wipe surfaces clean immediately after applying cleaner. Never allow a cleaner to sit or soak.